

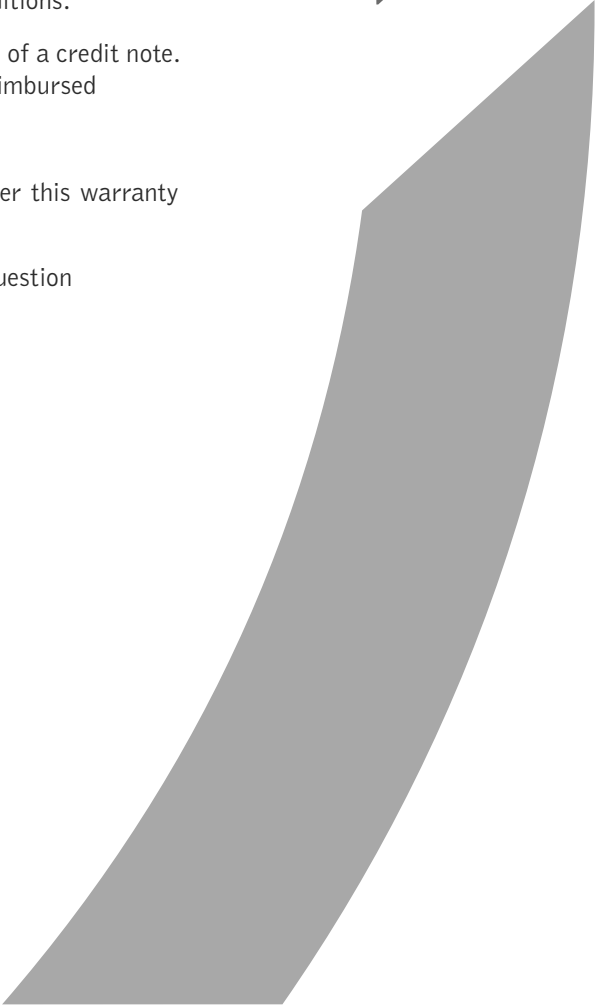


## **Our Warranty, Your Satisfaction.**

Since 2001, GRB Bearings, a 100% Canadian family owned company, has been a successful bearing supplier to distributors and OEMs across Canada. Our bearings are mainly imported from carefully selected manufacturers in China, and are made according to the international "ISO" quality control system, and under the minimum "ABEC 1" precision standard. Our confidence in our product is such, that we offer the best warranty in the industry.

If you are not totally satisfied with the quality of the bearings imported and manufactured under license for GRB, we will take them back (some conditions apply).

We are making it our duty to offer quality products to our customers; however, if an item happens to be defective, we will replace the product under the following conditions:

- The warranty is limited to the replacement or, at our discretion, the emission of a credit note. No other claims such as labour, loss or damage will be accepted and/or reimbursed
  - The warranty is limited to 90 days from date of invoice
  - Abusive usage, improper installation and/or inadequate maintenance render this warranty null and void
  - GRB reserves the right to verify the proper installation of the material in question
  - All parts must be returned prepaid to GRB
- 



# LEGAL NOTICE

## *Force Majeure*

GRB, our employees and/or agents take no responsibility for loss or damage occasioned by delay in delivery or inability to deliver, whether these events are caused by us, or arising from circumstances beyond our control such as acts of God, fire, accidents, strike, lockouts and/or any other similar causes.

## Disclaimer

We've taken the greatest care to insure the accuracy of the information contained in this catalog but GRB will not accept liability for any errors or omissions. Products presented in this catalog are not necessarily available from stock. Please contact GRB's sales representative for availability. The structure and technical data shown in this catalog are those being used at the time of publication and GRB reserves the right to make changes without notice. The information listed in this catalog is for reference only. Rest assured that any comment and suggestion will be considered with great care.

**Some sizes may not be available at the time of your order or might require a minimum quantity. Please check with your representative before making a definitive selection.**

## Other products available

- Ball Bearings, Metric & Inch Sizes
- Spherical Plain Bearings
- Rod Ends
- Needle Bearings
- Roller Bearings
- Cam Followers
- Tapered Roller Bearings
- Thrust Bearings
- Pillow Blocks & Inserts
- Conveyor Bearings

And more!

Visit our website [www.GRBbearings.com](http://www.GRBbearings.com) for up to date information.

# TABLE OF CONTENTS



## Spherical Plain

GE ES/2RS.....	4
GEG ES/2RS .....	5
GEEW ES.....	6
GEEM ES/2RS .....	7
GEZ ES/2RS.....	8-9
GEWZ ES/2RS .....	10
GEGZ ES/2RS .....	11
GE & GEG..C .....	12
GE ET/2RS - GE XT/2RS.....	13
GEZ ET-2RS.....	14
GACZ S .....	15
GACZ Z .....	16

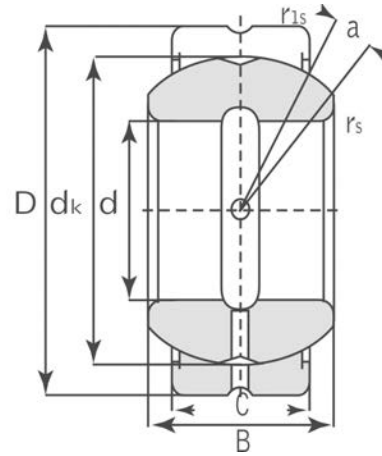
## Rod End

COM, HCOM .....	17
SIBP .....	18
SABP .....	19
SAZP .....	20
SIZP .....	21
SIZJ.....	22
SAZJ .....	23

<b>Interchange Table.....</b>	<b>24</b>
-------------------------------	-----------



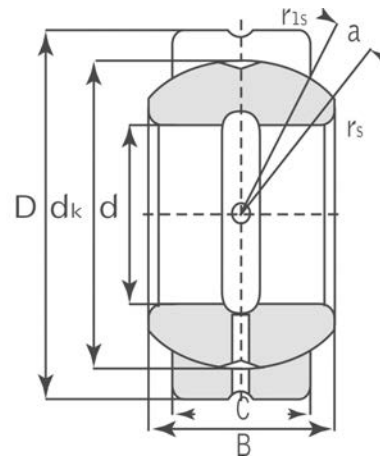
# Spherical Plain



## GE ES / GE ES-2RS

Bearing Number		Dimensions (mm)								Load Ratings kN		Weight ~ kg
		d	D	B	C	dk	min rs	min r1s	a ~	Dynamic	Static	
GE4E		4	12	5	3	8	0.3	0.3	16	2	10	0.003
GE5E		5	14	6	4	10	0.3	0.3	13	3.4	17	0.005
GE6E		6	14	6	4	10	0.3	0.3	13	3.4	17	0.004
GE8E		8	16	8	5	13	0.3	0.3	15	5.5	27	0.008
GE10E		10	19	9	6	16	0.3	0.3	12	8.1	40	0.011
GE12E		12	22	10	7	18	0.3	0.3	10	10	53	0.015
GE15ES	GE15ES-2RS	15	26	12	9	22	0.3	0.3	8	16	84	0.027
GE17ES	GE17ES-2RS	17	30	14	10	25	0.3	0.3	10	21	106	0.041
GE20ES	GE20ES-2RS	20	35	16	12	29	0.3	0.3	9	30	146	0.066
GE25ES	GE25ES-2RS	25	42	20	16	35.5	0.6	0.6	7	48	240	0.119
GE30ES	GE30ES-2RS	30	47	22	18	40.7	0.6	0.6	6	62	310	0.153
GE35ES	GE35ES-2RS	35	55	25	20	47	0.6	1	6	79	399	0.233
GE40ES	GE40ES-2RS	40	62	28	22	53	0.6	1	7	99	495	0.306
GE45ES	GE45ES-2RS	45	68	32	25	60	0.6	1	7	127	637	0.427
GE50ES	GE50ES-2RS	50	75	35	28	66	0.6	1	6	156	780	0.546
GE55ES	GE55ES-2RS	55	85	40	32	74	0.6	1	7	200	1000	0.939
GE60ES	GE60ES-2RS	60	90	44	36	80	1	1	6	245	1220	1.04
GE70ES	GE70ES-2RS	70	105	49	40	92	1	1	6	313	1560	1.55
GE80ES	GE80ES-2RS	80	120	55	45	105	1	1	6	400	2000	2.31
GE90ES	GE90ES-2RS	90	130	60	50	115	1	1	5	488	2440	2.75
GE100ES	GE100ES-2RS	100	150	70	55	130	1	1	7	607	3030	4.45
GE110ES	GE110ES-2RS	110	160	70	55	140	1	1	6	654	3270	4.82
GE120ES	GE120ES-2RS	120	180	85	70	160	1	1	6	950	4750	8.05
GE140ES	GE140ES-2RS	140	210	90	70	180	1	1	7	1070	5350	11.02
GE160ES	GE160ES-2RS	160	230	105	80	200	1	1	8	1360	6800	14.01
GE180ES	GE180ES-2RS	180	260	105	80	225	1.1	1.1	6	1530	7650	18.65
GE200ES	GE200ES-2RS	200	290	130	100	250	1.1	1.1	7	2120	10600	28.03
GE220ES	GE220ES-2RS	220	320	135	100	275	1.1	1.1	8	2320	11600	35.51
GE240ES	GE240ES-2RS	240	340	140	100	300	1.1	1.1	8	2550	12700	39.91
GE260ES	GE260ES-2RS	260	370	150	110	325	1.1	1.1	7	3030	15190	51.54
GE280ES	GE280ES-2RS	280	400	155	120	350	1.1	1.1	6	3570	17850	65.06
GE300ES	GE300ES-2RS	300	430	165	120	375	1.1	1.1	7	3800	19100	78.07

# Spherical Plain

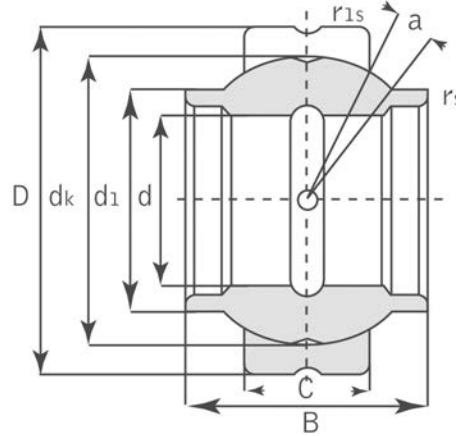


## GEG ES / GEG ES-2RS

Bearing Number		Dimensions (mm)								Load Ratings kN		Weight ~ kg
		d	D	B	C	dk	min rs	min r1s	a ~	Dynamic	Static	
GEG4E		4	14	7	4	10	0.3	0.3	20	3.4	17	0.005
GEG5E		5	16	9	5	13	0.3	0.3	21	5.5	27	0.008
GEG6E		6	16	9	5	13	0.3	0.3	21	5.5	27	0.006
GEG8E		8	19	11	6	16	0.3	0.3	21	8.1	40	0.014
GEG10E		10	22	12	7	18	0.3	0.3	18	10	53	0.021
GEG12E		12	26	15	9	22	0.3	0.3	18	16	84	0.033
GEG15ES	GEG15ES-2RS	15	30	16	10	25	0.3	0.3	16	21	106	0.049
GEG17ES	GEG17ES-2RS	17	35	20	12	29	0.3	0.3	19	30	146	0.083
GEG20ES	GEG20ES-2RS	20	42	25	16	35.5	0.3	0.6	17	48	240	0.153
GEG25ES	GEG25ES-2RS	25	47	28	18	40.7	0.6	0.6	17	62	310	0.203
GEG30ES	GEG30ES-2RS	30	55	32	20	47	0.6	1	17	79	399	0.304
GEG35ES	GEG35ES-2RS	35	62	35	22	53	0.6	1	16	99	495	0.408
GEG40ES	GEG40ES-2RS	40	68	40	25	60	0.6	1	17	127	637	0.542
GEG45ES	GEG45ES-2RS	45	75	43	28	66	0.6	1	15	156	780	0.713
GEG50ES	GEG50ES-2RS	50	90	56	36	80	0.6	1	17	245	1220	1.14
GEG60ES	GEG60ES-2RS	60	105	63	40	92	1	1	17	313	1560	2.05
GEG70ES	GEG70ES-2RS	70	120	70	45	105	1	1	16	400	2000	3.01
GEG80ES	GEG80ES-2RS	80	130	75	50	115	1	1	14	488	2440	3.64
GEG90ES	GEG90ES-2RS	90	150	85	55	130	1	1	15	607	3030	5.22
GEG100ES	GEG100ES-2RS	100	160	85	55	140	1	1	14	654	3270	6.05
GEG110ES	GEG110ES-2RS	110	180	100	70	160	1	1	12	950	4750	9.68
GEG120ES	GEG120ES-2RS	120	210	115	70	180	1	1	16	1070	5350	14.01
GEG140ES	GEG140ES-2RS	140	230	130	80	200	1	1	16	1360	6800	19.01
GEG160ES	GEG160ES-2RS	160	260	135	80	225	1.1	1.1	16	1530	7650	24.7
GEG180ES	GEG180ES-2RS	180	290	155	100	250	1.1	1.1	14	2120	10600	35.9
GEG200ES	GEG200ES-2RS	200	320	165	100	275	1.1	1.1	15	2320	11600	45.28
GEG220ES	GEG220ES-2RS	220	340	175	100	300	1.1	1.1	16	2550	12700	51.12
GEG240ES	GEG240ES-2RS	240	370	190	110	325	1.1	1.1	15	3030	15190	65.12
GEG260ES	GEG260ES-2RS	260	400	205	120	350	1.1	1.1	15	3570	17850	82.44
GEG280ES	GEG280ES-2RS	280	430	210	120	375	1.1	1.1	15	3800	19100	97.21



# Spherical Plain

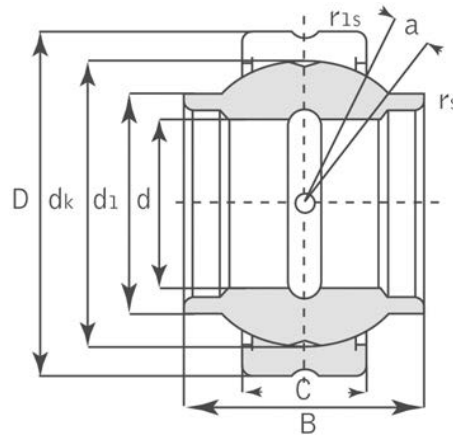


## GEEW ES

Bearing Number	Dimensions (mm)									Load Ratings kN		Weight ~kg
	d	D	B	C	max d1	dk	min rs	min r1s	a' ~	Dynamic	Static	
GEEW12ES*	12	22	12	7	15.5	18	0.3	0.3	4	10	53	0.022
GEEW15ES	15	26	15	9	18.5	22	0.3	0.3	5	16	84	0.031
GEEW16ES	16	28	16	9	20	23	0.3	0.3	4	17	85	0.035
GEEW17ES	17	30	17	10	21	25	0.3	0.3	7	21	106	0.044
GEEW20ES	20	35	20	12	25	29	0.3	0.3	4	30	146	0.071
GEEW25ES	25	42	25	16	30.5	35.5	0.6	0.6	4	48	240	0.131
GEEW30ES	30	47	30	18	34	40.7	0.6	0.6	4	62	310	0.168
GEEW32ES	32	52	32	18	37	43	0.6	1	4	65	328	0.182
GEEW35ES	35	55	35	20	40	47	0.6	1	4	79	399	0.253
GEEW40ES	40	62	40	22	46	53	0.6	1	4	99	495	0.338
GEEW45ES	45	68	45	25	52	60	0.6	1	4	127	637	0.481
GEEW50ES	50	75	50	28	57	66	0.6	1	4	156	780	0.558
GEEW60ES	60	90	60	36	68	80	1	1	4	245	1220	1.15
GEEW63ES	63	95	63	36	71.5	83	1	1	4	253	1260	1.25
GEEW70ES	70	105	70	40	78	92	1	1	4	313	1560	1.71
GEEW80ES	80	120	80	45	91	105	1	1	4	400	2000	2.39
GEEW90ES	90	130	90	50	99	115	1	1	4	488	2440	3.21
GEEW100ES	100	150	100	55	113	130	1	1	4	607	3030	4.79
GEEW110ES	110	160	110	55	124	140	1	1	4	654	3270	5.78
GEEW125ES	125	180	125	70	138	160	1	1	4	950	4750	8.49
GEEW160ES	160	230	160	80	177	200	1	1	4	1360	6800	16.5
GEEW200ES	200	290	200	100	221	250	1.1	1.1	4	2120	10600	32.1
GEEW250ES	250	400	250	120	317	350	1.1	1.1	4	3750	17800	99.1
GEEW320ES	320	520	320	160	405	450	1.1	1.1	4	6200	30500	225

\* A lubrication groove and holes in the outer ring only.  
We can supply spherical plain bearing with two seals for bore diameter d ≥ 15mm.

# Spherical Plain

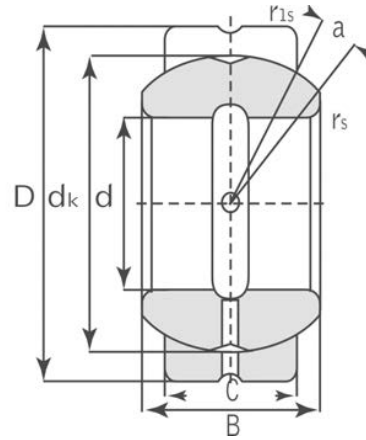


## GEEM ES-2RS

Bearing Number	Dimensions (mm)									Load Ratings kN		Weight ~kg
	d	D	B	C	max d1	dk	min rs	min r1s	a° ~	Dynamic	Static	
GEEM20ES-2RS	20	35	24	12	24	29	0.3	0.3	6	30	146	0.073
GEEM25ES-2RS	25	42	29	16	29	35.5	0.3	0.6	4	48	240	0.13
GEEM30ES-2RS	30	47	30	18	34	40.7	0.3	0.6	4	62	310	0.17
GEEM35ES-2RS	35	55	35	20	40	47	0.6	1	4	79	399	0.25
GEEM40ES-2RS	40	62	38	22	45	53	0.6	1	4	99	495	0.35
GEEM45ES-2RS	45	68	40	25	52	60	0.6	1	4	127	637	0.49
GEEM50ES-2RS	50	75	43	28	57	66	0.6	1	4	156	780	0.6
GEEM60ES-2RS	60	90	54	36	68	80	0.6	1	3	245	1220	1.15
GEEM70ES-2RS	70	105	65	40	78	92	0.6	1	4	313	1560	1.65
GEEM80ES-2RS	80	120	74	45	90	105	0.6	1	4	400	2000	2.5

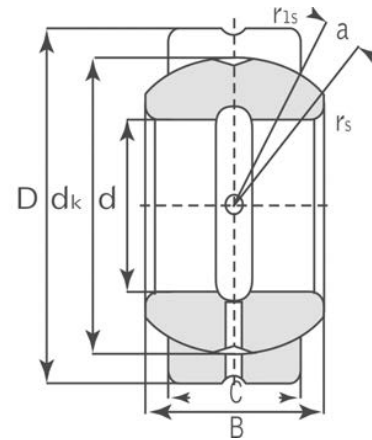


# Spherical Plain



## GEZ ES / GEZ ES-2RS

Bearing Number		Dimensions (inch / mm)								Load Ratings kN		Weight ~ kg
		d	D	B	C	dk	min rs	min r1s	a	Dynamic	Static	
GEZ12ES		<b>0.5</b> 12.7	<b>0.875</b> 22.22	<b>0.437</b> 11.1	<b>0.375</b> 9.52	<b>0.707</b> 18	<b>0.006</b> 0.15	<b>0.024</b> 0.6	6	13	41	0.022
GEZ15ES		<b>0.625</b> 15.87	<b>1.0625</b> 26.99	<b>0.547</b> 13.89	<b>0.469</b> 11.91	<b>0.904</b> 23	<b>0.006</b> 0.15	<b>0.024</b> 0.6	6	22	65	0.036
GEZ19ES	GEZ19ES-2RS	<b>0.75</b> 19.050	<b>1.25</b> 31.750	<b>0.656</b> 16.662	<b>0.562</b> 14.275	<b>1.081</b> 27.5	<b>0.012</b> 0.3	<b>0.024</b> 0.6	6	31	95	0.053
GEZ22ES	GEZ22ES-2RS	<b>0.875</b> 22.225	<b>1.4375</b> 36.513	<b>0.756</b> 19.431	<b>0.656</b> 16.662	<b>1.258</b> 32	<b>0.012</b> 0.3	<b>0.024</b> 0.6	6	42	127	0.085
GEZ25ES	GEZ25ES-2RS	<b>1</b> 25.400	<b>1.625</b> 41.275	<b>0.875</b> 22.225	<b>0.75</b> 19.050	<b>1.437</b> 36.5	<b>0.012</b> 0.3	<b>0.024</b> 0.6	6	56	166	0.121
GEZ31ES	GEZ31ES-2RS	<b>1.25</b> 31.750	<b>2</b> 50.800	<b>1.093</b> 27.762	<b>0.937</b> 23.800	<b>1.788</b> 45.5	<b>0.024</b> 0.6	<b>0.024</b> 0.6	6	86	260	0.23
GEZ34ES	GEZ34ES-2RS	<b>1.375</b> 34.925	<b>2.1875</b> 55.563	<b>1.187</b> 30.150	<b>1.031</b> 26.187	<b>1.926</b> 49	<b>0.024</b> 0.6	<b>0.04</b> 1	6	102	310	0.35
GEZ38ES	GEZ38ES-2RS	<b>1.5</b> 38.100	<b>2.4375</b> 61.913	<b>1.312</b> 33.325	<b>1.125</b> 28.575	<b>2.154</b> 54.7	<b>0.024</b> 0.6	<b>0.04</b> 1	6	125	375	0.42
GEZ44ES	GEZ44ES-2RS	<b>1.75</b> 44.450	<b>2.8125</b> 71.438	<b>1.531</b> 38.887	<b>1.312</b> 33.325	<b>2.511</b> 63.9	<b>0.024</b> 0.6	<b>0.04</b> 1	6	170	510	0.64
GEZ50ES	GEZ50ES-2RS	<b>2</b> 50.800	<b>3.1875</b> 80.963	<b>1.75</b> 44.450	<b>1.5</b> 38.100	<b>2.869</b> 73	<b>0.024</b> 0.6	<b>0.04</b> 1	6	224	670	0.93
GEZ57ES	GEZ57ES-2RS	<b>2.25</b> 57.150	<b>3.5625</b> 90.488	<b>1.969</b> 50.013	<b>1.687</b> 42.850	<b>3.223</b> 82	<b>0.024</b> 0.6	<b>0.04</b> 1	6	280	850	1.3
GEZ63ES	GEZ63ES-2RS	<b>2.5</b> 63.500	<b>3.9375</b> 100.013	<b>2.187</b> 55.550	<b>1.875</b> 47.625	<b>3.616</b> 92	<b>0.04</b> 1	<b>0.04</b> 1	6	355	1060	1.85

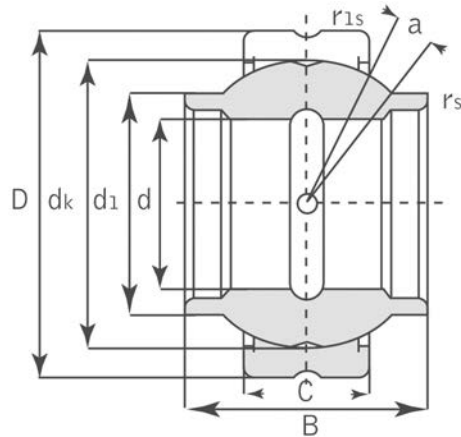


## GEZ ES / GEZ ES-2RS

Bearing Number		Dimensions (inch / mm)								Load Ratings kN		Weight ~ kg
		d	D	B	C	dk	min rs	min r1s	a ~	Dynamic	Static	
GEZ69ES	GEZ69ES-2RS	<b>2.75</b> 69.850	<b>4.375</b> 111.125	<b>2.406</b> 61.112	<b>2.062</b> 52.375	<b>3.937</b> 100	<b>0.04</b> 1	<b>0.04</b> 1	6	415	1250	2.4
GEZ76ES	GEZ76ES-2RS	<b>3</b> 76.200	<b>4.75</b> 120.650	<b>2.625</b> 66.675	<b>2.25</b> 57.150	<b>4.303</b> 109.5	<b>0.04</b> 1	<b>0.04</b> 1	6	500	1500	3.1
GEZ82ES	GEZ82ES-2RS	<b>3.25</b> 82.550	<b>5.125</b> 130.175	<b>2.844</b> 72.238	<b>2.437</b> 61.900	<b>4.685</b> 119	<b>0.04</b> 1	<b>0.04</b> 1	6	585	1760	3.8
GEZ88ES	GEZ88ES-2RS	<b>3.5</b> 88.900	<b>5.5</b> 139.700	<b>3.062</b> 77.775	<b>2.625</b> 66.675	<b>5.04</b> 128	<b>0.04</b> 1	<b>0.04</b> 1	6	680	2040	4.8
GEZ95ES	GEZ95ES-2RS	<b>3.75</b> 95.250	<b>5.875</b> 149.225	<b>3.281</b> 83.337	<b>2.812</b> 71.425	<b>5.393</b> 137	<b>0.04</b> 1	<b>0.04</b> 1	6	780	2360	5.8
GEZ101ES	GEZ101ES-2RS	<b>4</b> 101.600	<b>6.25</b> 158.750	<b>3.5</b> 88.900	<b>3</b> 76.200	<b>5.748</b> 146	<b>0.04</b> 1	<b>0.04</b> 1	6	900	2650	7
GEZ107ES	GEZ107ES-2RS	<b>4.25</b> 107.950	<b>6.625</b> 168.275	<b>3.719</b> 94.463	<b>3.187</b> 80.950	<b>6.102</b> 155	<b>0.04</b> 1	<b>0.04</b> 1	6	1000	3000	8.41
GEZ114ES	GEZ114ES-2RS	<b>4.5</b> 114.300	<b>7</b> 177.800	<b>3.937</b> 100.013	<b>3.375</b> 85.725	<b>6.476</b> 164.5	<b>0.04</b> 1	<b>0.04</b> 1	6	1120	3400	9.8
GEZ120ES	GEZ120ES-2RS	<b>4.75</b> 120.650	<b>7.375</b> 187.325	<b>4.156</b> 105.562	<b>3.562</b> 90.475	<b>6.83</b> 173.5	<b>0.04</b> 1	<b>0.04</b> 1	6	1250	3750	11.5
GEZ127ES	GEZ127ES-2RS	<b>5</b> 127.000	<b>7.75</b> 196.850	<b>4.375</b> 111.125	<b>3.75</b> 95.250	<b>7.204</b> 183	<b>0.04</b> 1	<b>0.04</b> 1	6	1400	4150	13.5
GEZ152ES	GEZ152ES-2RS	<b>6</b> 152.400	<b>8.75</b> 222.250	<b>4.75</b> 120.65	<b>4.125</b> 104.775	<b>8.15</b> 207	<b>0.04</b> 1	<b>0.04</b> 1	5	1730	5200	17.5



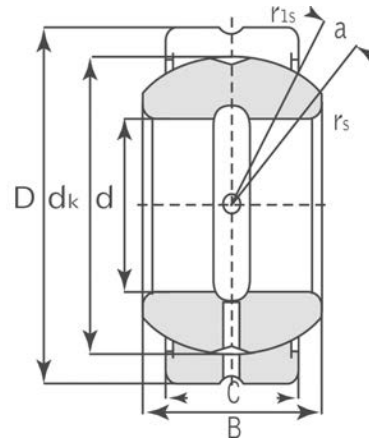
# Spherical Plain



## GEWZ ES / GEWZ ES-2RS

Bearing Number		Dimensions (inch / mm)									Load Ratings kN		Weight ~kg
		d	D	B	C	max d1	dk	min rs	min r1s	a ~	Dynamic	Static	
GEWZ 12 ES		<b>0.5</b> 12.7	<b>0.875</b> 22.225	<b>0.75</b> 19.05	<b>0.375</b> 9.525	<b>0.625</b> 15.875	<b>0.719</b> 18	<b>0.006</b> 0.15	<b>0.024</b> 0.6	5	13	41	0.024
GEWZ15ES		<b>0.625</b> 15.875	<b>1.0625</b> 26.988	<b>0.937</b> 23.8	<b>0.469</b> 11.913	<b>0.78</b> 19.812	<b>0.899</b> 23	<b>0.006</b> 0.15	<b>0.024</b> 0.6	5	22	65	0.038
GEWZ19ES	GEWZ19ES-2RS	<b>0.75</b> 19.05	<b>1.25</b> 31.75	<b>1.125</b> 28.575	<b>0.562</b> 14.275	<b>0.92</b> 23.368	<b>1.08</b> 27.5	<b>0.012</b> 0.3	<b>0.024</b> 0.6	5	31	95	0.064
GEWZ22ES	GEWZ22ES-2RS	<b>0.875</b> 22.225	<b>1.4375</b> 36.513	<b>1.312</b> 33.325	<b>0.656</b> 16.662	<b>1.07</b> 27.178	<b>1.258</b> 32	<b>0.012</b> 0.3	<b>0.024</b> 0.6	5	42	127	0.098
GEWZ25ES	GEWZ25ES-2RS	<b>1</b> 25.4	<b>1.625</b> 41.275	<b>1.5</b> 38.1	<b>0.75</b> 19.05	<b>1.22</b> 30.988	<b>1.437</b> 36.5	<b>0.012</b> 0.3	<b>0.024</b> 0.6	5	56	166	0.142
GEWZ31ES	GEWZ31ES-2RS	<b>1.25</b> 31.75	<b>2</b> 50.8	<b>1.875</b> 47.625	<b>0.937</b> 23.8	<b>1.525</b> 38.735	<b>1.795</b> 45.5	<b>0.024</b> 0.6	<b>0.024</b> 0.6	5	86	260	0.271
GEWZ34ES	GEWZ34ES-2RS	<b>1.375</b> 34.925	<b>2.1875</b> 55.563	<b>2.062</b> 52.375	<b>1.031</b> 26.187	<b>1.67</b> 42.418	<b>1.937</b> 49	<b>0.024</b> 0.6	<b>0.04</b> 1	5	102	310	0.373
GEWZ38ES	GEWZ38ES-2RS	<b>1.5</b> 38.1	<b>2.4375</b> 61.913	<b>2.25</b> 57.15	<b>1.125</b> 28.575	<b>1.85</b> 46.99	<b>2.155</b> 54.7	<b>0.024</b> 0.6	<b>0.04</b> 1	5	125	375	0.494
GEWZ44ES	GEWZ44ES-2RS	<b>1.75</b> 44.45	<b>2.8125</b> 71.438	<b>2.625</b> 66.675	<b>1.312</b> 33.325	<b>2.165</b> 54.991	<b>2.515</b> 63.9	<b>0.024</b> 0.6	<b>0.04</b> 1	5	170	510	0.762
GEWZ50ES	GEWZ50ES-2RS	<b>2</b> 50.8	<b>3.1875</b> 80.963	<b>3</b> 76.2	<b>1.5</b> 38.1	<b>2.46</b> 62.484	<b>2.875</b> 73	<b>0.024</b> 0.6	<b>0.04</b> 1	5	224	670	1.11
GEWZ57ES	GEWZ57ES-2RS	<b>2.25</b> 57.15	<b>3.5625</b> 90.488	<b>3.375</b> 85.725	<b>1.687</b> 42.85	<b>2.76</b> 70.104	<b>3.235</b> 82	<b>0.024</b> 0.6	<b>0.04</b> 1	5	280	850	1.57
GEWZ63ES	GEWZ63ES-2RS	<b>2.5</b> 63.5	<b>3.9375</b> 100.013	<b>3.75</b> 95.25	<b>1.875</b> 47.625	<b>3.06</b> 77.724	<b>3.59</b> 92	<b>0.04</b> 1	<b>0.04</b> 1	5	355	1060	2.15
GEWZ69ES	GEWZ69ES-2RS	<b>2.75</b> 69.85	<b>4.375</b> 111.125	<b>4.125</b> 104.775	<b>2.062</b> 52.375	<b>3.38</b> 85.852	<b>3.95</b> 100	<b>0.04</b> 1	<b>0.04</b> 1	5	415	1250	2.9
GEWZ76ES	GEWZ76ES-2RS	<b>3</b> 76.2	<b>4.75</b> 120.65	<b>4.5</b> 114.3	<b>2.25</b> 57.15	<b>3.675</b> 93.345	<b>4.312</b> 109.5	<b>0.04</b> 1	<b>0.04</b> 1	5	500	1500	3.59
GEWZ82ES	GEWZ82ES-2RS	<b>3.25</b> 82.55	<b>5.125</b> 130.175	<b>4.875</b> 123.825	<b>2.437</b> 61.9	<b>3.985</b> 101.219	<b>4.675</b> 119	<b>0.04</b> 1	<b>0.04</b> 1	5	585	1760	4.69
GEWZ88ES	GEWZ88ES-2RS	<b>3.5</b> 88.9	<b>5.5</b> 139.7	<b>5.25</b> 133.35	<b>2.625</b> 66.675	<b>4.3</b> 109.22	<b>5.04</b> 128	<b>0.04</b> 1	<b>0.04</b> 1	5	680	2040	5.86
GEWZ95ES	GEWZ95ES-2RS	<b>3.75</b> 95.25	<b>5.875</b> 149.225	<b>5.625</b> 142.875	<b>2.812</b> 71.425	<b>4.59</b> 116.586	<b>5.39</b> 137	<b>0.04</b> 1	<b>0.04</b> 1	5	780	2360	7.11
GEWZ101ES	GEWZ101ES-2RS	<b>4</b> 101.6	<b>6.25</b> 158.75	<b>6</b> 152.4	<b>3</b> 76.2	<b>4.905</b> 124.587	<b>5.75</b> 146	<b>0.04</b> 1	<b>0.04</b> 1	5	900	2650	8.56
GEWZ114ES	GEWZ114ES-2RS	<b>4.5</b> 114.3	<b>7</b> 177.8	<b>6.75</b> 171.45	<b>3.375</b> 85.725	<b>5.525</b> 140.335	<b>6.475</b> 164.5	<b>0.04</b> 1	<b>0.04</b> 1	5	1120	3400	12.24
GEWZ127ES	GEWZ127ES-2RS	<b>5</b> 127	<b>7.75</b> 196.85	<b>7.5</b> 190.5	<b>3.75</b> 95.25	<b>6.13</b> 155.705	<b>7.19</b> 183	<b>0.04</b> 1	<b>0.04</b> 1	5	1400	4150	16.63
GEWZ152ES	GEWZ152ES-2RS	<b>6</b> 152.4	<b>8.75</b> 222.25	<b>8.25</b> 209.55	<b>4.125</b> 104.775	<b>7.02</b> 178.308	<b>8.156</b> 207	<b>0.04</b> 1	<b>0.04</b> 1	5	1730	5200	20.7

# Spherical Plain

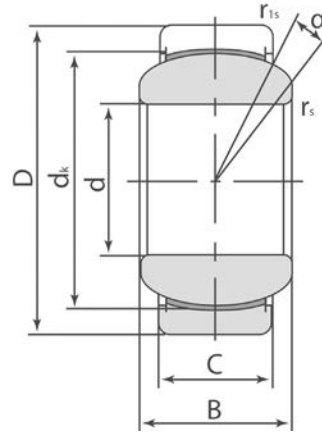


## GEGZ ES / GEGZ ES-2RS

Bearing Number		Dimensions (inch / mm)								Load Ratings kN		Weight ~kg
		d	D	B	C	dk	min rs	min r1s	a° ~	Dynamic	Static	
GEGZ31ES	GEGZ31ES-2RS	<b>1.25</b> 31.75	<b>2.4375</b> 61.913	<b>1.39</b> 35.306	<b>1.125</b> 28.575	<b>2.155</b> 54.7	<b>0.024</b> 0.6	<b>0.04</b> 1	15	125	375	0.454
GEGZ38ES	GEGZ38ES-2RS	<b>1.5</b> 38.1	<b>2.8125</b> 71.438	<b>1.58</b> 40.132	<b>1.312</b> 33.325	<b>2.515</b> 63.9	<b>0.024</b> 0.6	<b>0.04</b> 1	14	170	510	0.726
GEGZ44ES	GEGZ44ES-2RS	<b>1.75</b> 44.45	<b>3.1875</b> 80.963	<b>1.82</b> 46.228	<b>1.5</b> 38.1	<b>2.875</b> 73	<b>0.024</b> 0.6	<b>0.04</b> 1	14	224	670	1.14
GEGZ50ES	GEGZ50ES-2RS	<b>2</b> 50.8	<b>3.5625</b> 90.488	<b>2.07</b> 52.578	<b>1.687</b> 42.85	<b>3.235</b> 82	<b>0.024</b> 0.6	<b>0.04</b> 1	14	280	850	1.68
GEGZ57ES	GEGZ57ES-2RS	<b>2.25</b> 57.15	<b>3.9375</b> 100.013	<b>2.318</b> 58.877	<b>1.875</b> 47.625	<b>3.59</b> 92	<b>0.024</b> 0.6	<b>0.04</b> 1	14	355	1060	2.01
GEGZ63ES	GEGZ63ES-2RS	<b>2.5</b> 63.5	<b>4.375</b> 111.125	<b>2.545</b> 64.643	<b>2.062</b> 52.375	<b>3.95</b> 100	<b>0.04</b> 1	<b>0.04</b> 1	14	415	1250	2.95
GEGZ69ES	GEGZ69ES-2RS	<b>2.75</b> 69.85	<b>4.75</b> 120.65	<b>2.79</b> 70.866	<b>2.25</b> 57.15	<b>4.312</b> 109.5	<b>0.04</b> 1	<b>0.04</b> 1	14	500	1500	3.63
GEGZ76ES	GEGZ76ES-2RS	<b>3</b> 76.2	<b>5.125</b> 130.175	<b>3.022</b> 76.759	<b>2.437</b> 61.9	<b>4.675</b> 119	<b>0.04</b> 1	<b>0.04</b> 1	14	585	1760	4.36
GEGZ82ES	GEGZ82ES-2RS	<b>3.25</b> 82.55	<b>5.5</b> 139.7	<b>3.265</b> 82.931	<b>2.625</b> 66.675	<b>5.04</b> 128	<b>0.04</b> 1	<b>0.04</b> 1	14	680	2040	5.31
GEGZ88ES	GEGZ88ES-2RS	<b>3.5</b> 88.9	<b>5.875</b> 149.225	<b>3.56</b> 90.424	<b>2.812</b> 71.425	<b>5.39</b> 137	<b>0.04</b> 1	<b>0.04</b> 1	14	780	2360	6.81
GEGZ95ES	GEGZ95ES-2RS	<b>3.75</b> 95.25	<b>6.25</b> 158.75	<b>3.738</b> 94.945	<b>3</b> 76.2	<b>5.75</b> 146	<b>0.04</b> 1	<b>0.04</b> 1	14	900	2650	8.85
GEGZ101ES	GEGZ101ES-2RS	<b>4</b> 101.6	<b>7</b> 177.8	<b>4.225</b> 107.315	<b>3.375</b> 85.725	<b>6.475</b> 164.5	<b>0.04</b> 1	<b>0.04</b> 1	10	1120	3400	10.2
GEGZ114ES	GEGZ114ES-2RS	<b>4.5</b> 114.3	<b>7.75</b> 196.85	<b>4.69</b> 119.126	<b>3.75</b> 95.25	<b>7.19</b> 183	<b>0.04</b> 1	<b>0.04</b> 1	10	1400	4150	13.6
GEGZ139ES	GEGZ139ES-2RS	<b>5.5</b> 139.7	<b>8.75</b> 222.25	<b>4.95</b> 125.73	<b>4.125</b> 104.775	<b>8.156</b> 207	<b>0.04</b> 1	<b>0.04</b> 1	9	1730	5200	20.4

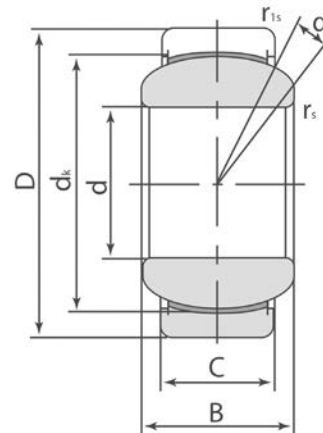


# Spherical Plain



## GE & GEG..C

Bearing Number	Dimensions (mm)								Load Ratings kN		Weight ~kg
	d	D	B	C	dk	min rs	min r1s	a° ~	Dynamic	Static	
GE4C	4	12	5	3	8	0.3	0.3	16	2.1	5.4	0.003
GE5C	5	14	6	4	10	0.3	0.3	13	3.6	9.1	0.005
GE6C	6	14	6	4	10	0.3	0.3	13	3.6	9.1	0.004
GE8C	8	16	8	5	13	0.3	0.3	15	5.8	14	0.008
GE10C	10	19	9	6	16	0.3	0.3	12	8.6	21	0.011
GE12C	12	22	10	7	18	0.3	0.3	10	11	28	0.015
GE15C	15	26	12	9	22	0.3	0.3	8	18	45	0.027
GE17C	17	30	14	10	25	0.3	0.3	10	22	56	0.041
GE20C	20	35	16	12	29	0.3	0.3	9	31	78	0.066
GE25C	25	42	20	16	35.5	0.6	0.6	7	51	127	0.119
GE30C	30	47	22	18	40.7	0.6	0.6	6	65	166	0.163
GEG4C	4	14	7	4	10	0.3	0.3	20	3.6	9.1	0.005
GEG5C	5	16	9	5	13	0.3	0.3	21	5.8	14	0.008
GEG6C	6	16	9	5	13	0.3	0.3	21	5.8	14	0.006
GEG8C	8	19	11	6	16	0.3	0.3	21	8.6	21	0.014
GEG10C	10	22	12	7	18	0.3	0.3	18	11	28	0.021
GEG12C	12	26	15	9	22	0.3	0.3	18	18	45	0.033
GEG15C	15	30	16	10	25	0.3	0.3	16	22	56	0.049
GEG17C	17	35	20	12	29	0.3	0.3	19	31	78	0.083
GEG20C	20	42	25	16	35.5	0.3	0.3	17	51	127	0.153
GEG25C	25	47	28	18	40.7	0.6	0.6	17	65	166	0.203
GEG30C	30	55	32	20	47	0.6	0.6	17	83	212	0.304



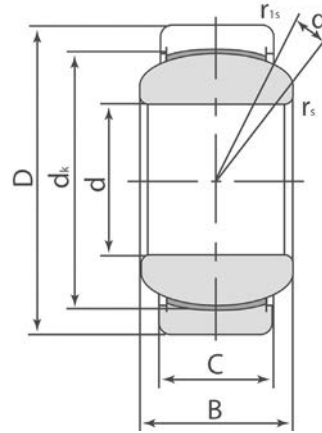
## GE ET/2RS - GE XT/2RS

Bearing Number		Dimensions (mm)								Load Ratings kN		Weight ~kg
		d	D	B	C	dk	min rs	min r1s	a ~	Dynamic	Static	
GE15ET	GE 15 ET 2RS	15	26	12	9	22	0.3	0.3	8	25	50	0.027
GE17ET	GE 17 ET 2RS	17	30	14	10	25	0.3	0.3	10	32	64	0.041
GE20ET	GE 20 ET 2RS	20	35	16	12	29	0.3	0.3	9	45	90	0.066
GE25ET	GE 25 ET 2RS	25	42	20	16	35.5	0.6	0.6	7	85	170	0.119
GE30ET	GE 30 ET 2RS	30	47	22	18	40.7	0.6	0.6	6	110	220	0.153
GE35ET	GE 35 ET 2RS	35	55	25	20	47	0.6	1	6	140	280	0.233
GE40ET	GE 40 ET 2RS	40	62	28	22	53	0.6	1	7	175	350	0.306
GE45ET	GE 45 ET 2RS	45	68	32	25	60	0.6	1	7	225	450	0.427
GE50ET	GE 50 ET 2RS	50	75	35	28	66	0.6	1	6	275	550	0.546
GE55ET	GE 55 ET 2RS	55	85	40	32	74	0.6	1	7	355	710	0.939
GE60ET	GE 60 ET 2RS	60	90	44	36	80	1	1	6	430	860	1.04
GE70ET	GE 70 ET 2RS	70	105	49	40	92	1	1	6	550	1100	1.55
GE80ET	GE 80 ET 2RS	80	120	55	45	105	1	1	6	705	1410	2.31
GE90ET	GE 90 ET 2RS	90	130	60	50	115	1	1	5	860	1720	2.75
GE100ET	GE 100 ET 2RS	100	150	70	55	130	1	1	7	1070	2140	4.45
GE110ET	GE 110 ET 2RS	110	160	70	55	140	1	1	6	1150	2300	4.82
GE120ET	GE 120 ET 2RS	120	180	85	70	160	1	1	6	1680	3360	8.05
GE140XT	GE 140 XT 2RS	140	210	90	70	180	1	1	7	1890	3780	11.02
GE160XT	GE 160 XT 2RS	160	230	105	80	200	1	1	8	2400	4800	14.01
GE180XT	GE 180 XT 2RS	180	260	105	80	225	1.1	1.1	6	2700	5400	18.65
GE200XT	GE 200 XT 2RS	200	290	130	100	250	1.1	1.1	7	3750	7500	28.03
GE220XT	GE 220 XT 2RS	220	320	135	100	275	1.1	1.1	8	4120	8240	35.51
GE240XT	GE 240 XT 2RS	220	320	135	100	275	1.1	1.1	8	4120	8240	35.51
GE260XT	GE 260 XT 2RS	260	370	150	110	325	1.1	1.1	7	5360	10720	51.54
GE280XT	GE 280 XT 2RS	280	400	155	120	350	1.1	1.1	6	6300	12600	65.06
GE300XT	GE 300 XT 2RS	300	430	165	120	375	1.1	1.1	7	6750	13500	78.07

GE... ET are made of carbon chromium steel, fractured, hardened and phosphated, with a sliding surface of PTFE fabric. The inner rings are made of carbon chromium steel and hardened. The sliding surface is treated with chromium plating. The 2RS design has seals at both sides.



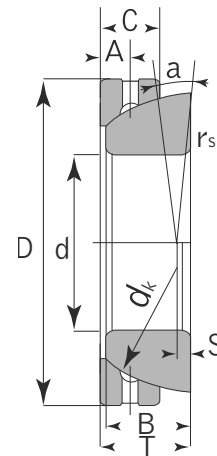
# Spherical Plain



## GEZ ET-2RS

Bearing Number	Dimensions (inch / mm)								Load Ratings kN		Weight ~kg
	d	D	B	C	dk	min rs	min r1s	a' ~	Dynamic	Static	
GEZ19ET-2RS	0.75 / 19.05	1.25 / 31.75	0.656 / 16.662	0.562 / 14.275	1.081 / 27.5	0.012 / 0.3	0.024 / 0.6	6	50	100	0.053
GEZ22ET-2RS	0.875 / 22.225	1.4375 / 36.513	0.756 / 19.431	0.656 / 16.662	1.258 / 32	0.012 / 0.3	0.024 / 0.6	6	69	138	0.085
GEZ25ET-2RS	1 / 25.4	1.625 / 41.275	0.875 / 22.225	0.75 / 19.05	1.437 / 36.5	0.012 / 0.3	0.024 / 0.6	6	104	208	0.121
GEZ31ET-2RS	1.25 / 31.75	2 / 50.8	1.093 / 27.762	0.937 / 23.8	1.788 / 45.5	0.024 / 0.6	0.024 / 0.6	6	160	320	0.23
GEZ34ET-2RS	1.375 / 34.925	2.1875 / 55.563	1.187 / 30.15	1.031 / 26.187	1.926 / 49	0.024 / 0.6	0.04 / 1	6	190	380	0.35
GEZ38ET-2RS	1.5 / 38.1	2.4375 / 61.913	1.312 / 33.325	1.125 / 28.575	2.154 / 54.7	0.024 / 0.6	0.04 / 1	6	235	470	0.42
GEZ44ET-2RS	1.75 / 44.45	2.8125 / 71.438	1.531 / 38.887	1.312 / 33.325	2.511 / 63.9	0.024 / 0.6	0.04 / 1	6	320	640	0.64
GEZ50ET-2RS	2 / 50.8	3.1875 / 80.963	1.75 / 44.45	1.5 / 38.1	2.869 / 73	0.024 / 0.6	0.04 / 1	6	415	830	0.93
GEZ57ET-2RS	2.25 / 57.15	3.5625 / 90.488	1.969 / 50.013	1.687 / 42.85	3.223 / 82	0.024 / 0.6	0.04 / 1	6	525	1050	1.3
GEZ63ET-2RS	2.5 / 63.5	3.9375 / 100.013	2.187 / 55.55	1.875 / 47.625	3.616 / 92	0.04 / 1	0.04 / 1	6	655	1310	1.85
GEZ69ET-2RS	2.75 / 69.85	4.375 / 111.125	2.406 / 61.112	2.062 / 52.375	3.937 / 100	0.04 / 1	0.04 / 1	6	785	1570	2.4
GEZ76ET-2RS	3 / 76.2	4.75 / 120.65	2.625 / 66.675	2.25 / 57.15	4.303 / 109.5	0.04 / 1	0.04 / 1	6	935	1870	3.1
GEZ82ET-2RS	3.25 / 82.55	5.125 / 130.175	2.844 / 72.238	2.437 / 61.9	4.685 / 119	0.04 / 1	0.04 / 1	6	1100	2200	3.8
GEZ88ET-2RS	3.5 / 88.9	5.5 / 139.7	3.062 / 77.775	2.625 / 66.675	5.04 / 128	0.04 / 1	0.04 / 1	6	1280	2560	4.8
GEZ95ET-2RS	3.75 / 95.25	5.875 / 149.225	3.281 / 83.337	2.812 / 71.425	5.393 / 137	0.04 / 1	0.04 / 1	6	1460	2920	5.8
GEZ101ET-2RS	4 / 101.6	6.25 / 158.75	3.5 / 88.9	3 / 76.2	5.748 / 146	0.04 / 1	0.04 / 1	6	1660	3320	7
GEZ107ET-2RS	4.25 / 107.95	6.625 / 168.275	3.719 / 94.463	3.187 / 80.95	6.102 / 155	0.04 / 1	0.04 / 1	6	1880	3760	8.41
GEZ114ET-2RS	4.5 / 114.3	7 / 177.8	3.937 / 100.013	3.375 / 85.725	6.476 / 164.5	0.04 / 1	0.04 / 1	6	2110	4220	9.8
GEZ120ET-2RS	4.75 / 120.65	7.375 / 187.325	4.156 / 105.562	3.562 / 90.475	6.83 / 173.5	0.04 / 1	0.04 / 1	6	2350	4700	11.5
GEZ127ET-2RS	5 / 127	7.75 / 196.85	4.375 / 111.125	3.75 / 95.25	7.204 / 183	0.04 / 1	0.04 / 1	6	2610	5220	13.5
GEZ152ET-2RS	6 / 152.4	8.75 / 222.25	4.75 / 120.65	4.125 / 104.775	8.15 / 207	0.04 / 1	0.04 / 1	5	3250	6500	17.5

GEZ... ET are made of carbon chromium steel, fractured, hardened and phosphated, with a sliding surface of PTFE fabric. The inner rings are made of carbon chromium steel and hardened. The sliding surface is treated with chromium plating. The 2RS design has seals at both sides.

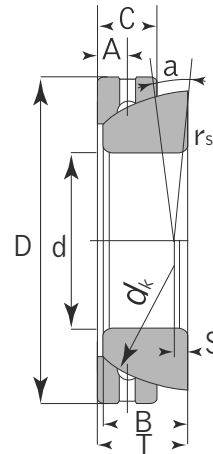


## GACZ S

Bearing Number	Dimensions (inch / mm)										Load Ratings kN		Weight ~kg
	d	D	B	C	T	dk	S	A	max r <sub>s</sub> r <sub>1s</sub>	a° ~	Dynamic	Static	
GACZ 12 S	0.5 / 12.7	0.875 / 22.225	0.27 / 6.86	0.19 / 4.83	0.3 / 7.62	0.719 / 18.26	0.051 / 1.3	0.094 / 2.39	0.02 / 0.51	7	6	18	0.013
GACZ 15 S	0.625 / 15.875	1.0625 / 26.988	0.34 / 8.64	0.25 / 6.35	0.37 / 9.4	0.899 / 22.83	0.058 / 1.48	0.109 / 2.77	0.03 / 0.76	6	10	31	0.025
GACZ 19 S	0.75 / 19.05	1.25 / 31.75	0.41 / 10.41	0.31 / 7.87	0.44 / 11.18	1.08 / 27.43	0.07 / 1.79	0.125 / 3.18	0.04 / 1	6	16	47	0.038
GACZ 22 S	0.875 / 22.225	1.4375 / 36.512	0.48 / 12.19	0.38 / 9.65	0.52 / 13.21	1.258 / 31.95	0.08 / 2.02	0.172 / 4.37	0.08 / 2	5.5	22	66	0.049
GACZ 25 S	1 / 25.4	1.625 / 41.275	0.55 / 13.97	0.44 / 11.18	0.6 / 15.24	1.437 / 36.5	0.1 / 2.54	0.203 / 5.16	0.08 / 2	6	29	87	0.085
GACZ 31 S	1.25 / 31.75	2 / 50.8	0.7 / 17.78	0.55 / 13.97	0.74 / 18.8	1.795 / 45.59	0.132 / 3.36	0.234 / 5.94	0.08 / 2	6	47	142	0.159
GACZ 34 S	1.375 / 34.925	2.1875 / 55.562	0.77 / 19.56	0.6 / 15.24	0.84 / 21.34	1.937 / 49.2	0.145 / 3.69	0.281 / 7.14	0.1 / 2.54	4	53	159	0.213
GACZ 38 S	1.5 / 38.1	2.4375 / 61.912	0.84 / 21.34	0.66 / 16.76	0.91 / 23.11	2.155 / 54.74	0.155 / 3.93	0.312 / 7.92	0.1 / 2.54	5.5	66	197	0.301
GACZ 44 S	1.75 / 44.45	2.8125 / 71.438	0.98 / 24.89	0.79 / 20.07	1.07 / 27.18	2.515 / 63.88	0.186 / 4.72	0.328 / 8.33	0.1 / 2.54	6	91	273	0.458
GACZ 50 S	2 / 50.8	3.1875 / 80.962	1.13 / 28.7	0.92 / 23.37	1.23 / 31.24	2.875 / 73.02	0.217 / 5.51	0.375 / 9.52	0.14 / 3.56	5.5	122	365	0.671
GACZ 57 S	2.25 / 57.15	3.5625 / 90.488	1.27 / 32.26	1.05 / 26.67	1.39 / 35.31	3.235 / 82.17	0.243 / 6.18	0.453 / 11.51	0.14 / 3.56	5.5	155	466	0.948
GACZ 63 S	2.5 / 63.5	3.9375 / 100.013	1.42 / 36.07	1.18 / 29.97	1.54 / 39.12	3.59 / 91.19	0.267 / 6.79	0.5 / 12.7	0.14 / 3.56	5	196	589	1.13
GACZ 69 S	2.75 / 69.85	4.375 / 111.125	1.56 / 39.62	1.275 / 32.38	1.7 / 43.18	3.95 / 100.33	0.294 / 7.46	0.515 / 13.08	0.18 / 4.6	5	231	694	1.75
GACZ 76 S	3 / 76.2	4.75 / 120.65	1.71 / 43.43	1.405 / 35.69	1.86 / 47.24	4.312 / 109.52	0.322 / 8.17	0.578 / 14.68	0.18 / 4.6	5	279	838	2.28
GACZ 82 S	3.25 / 82.55	5.125 / 130.175	1.86 / 47.24	1.545 / 39.24	2.03 / 51.56	4.675 / 118.74	0.356 / 9.04	0.656 / 16.66	0.18 / 4.6	5	332	995	2.89
GACZ 88 S	3.5 / 88.9	5.5 / 139.7	2 / 50.8	1.675 / 42.54	2.18 / 55.37	5.04 / 128.02	0.374 / 9.51	0.703 / 17.86	0.18 / 4.6	5	389	1167	3.57
GACZ 95 S	3.75 / 95.25	5.875 / 149.225	2.15 / 54.61	1.805 / 45.85	2.34 / 59.44	5.39 / 136.91	0.398 / 10.1	0.765 / 19.43	0.18 / 4.6	4.5	449	1348	4.35
GACZ 101 S	4 / 101.6	6.25 / 158.75	2.3 / 58.42	1.935 / 49.15	2.5 / 63.5	5.75 / 146.05	0.409 / 10.4	0.781 / 19.84	0.18 / 4.6	4.5	515	1545	5.26
GACZ 114 S	4.5 / 114.3	7 / 177.8	2.59 / 65.79	2.195 / 55.75	2.8 / 71.12	6.475 / 164.46	0.488 / 12.4	0.875 / 22.22	0.18 / 4.6	4.5	663	1990	7.76
GACZ 127 S	5 / 127	7.75 / 196.85	2.88 / 73.15	2.455 / 62.36	3.13 / 79.5	7.19 / 182.63	0.547 / 13.9	1 / 25.4	0.18 / 4.6	4.5	818	2455	11.07
GACZ 152 S	6 / 152.4	8.75 / 222.25	3.1 / 78.74	2.615 / 66.42	3.375 / 85.72	8.156 / 207.16	0.634 / 16.1	1.37 / 34.8	0.18 / 4.6	4.5	985	2955	17.37



# Spherical Plain

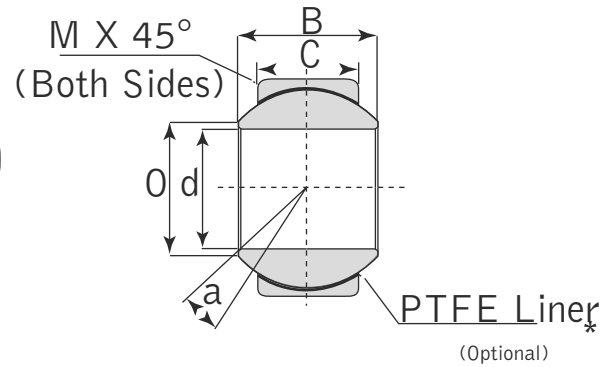
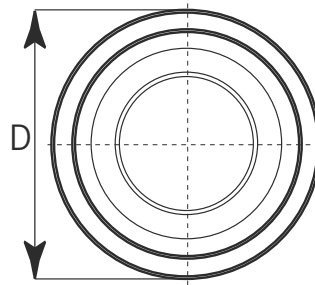


## GAC S

Bearing Number	Dimensions (mm)										Load Ratings kN		Weight ~kg
	d	D	B	C	T	dk	S	A	max rs	r1s	a° ~	Dynamic	
GAC25S	25	47	15	14	15	42	0.6	7.5	1	2.5	50	250	0.148
GAC28S	28	52	15	15	16	47	1	8	1	2	60	300	0.186
GAC30S	30	55	17	15	17	49.5	1.3	8.5	1	4.5	63	315	0.208
GAC32S	32	58	17	16	17	52	2	8.5	1	2	71	354	0.241
GAC35S	35	62	18	16	18	55.5	2.1	9	1	4	78	390	0.268
GAC40S	40	68	19	17	19	62	2.8	9.5	1	0.5	92	463	0.327
GAC45S	45	75	20	18	20	68.5	3.5	10	1	3	108	540	0.416
GAC50S	50	80	20	19	20	74	4.3	10	1	1.5	123	618	0.455
GAC55S	55	90	23	20	23	82	5	11.5	1.1	4	144	721	0.645
GAC60S	60	95	23	21	23	88.5	5.7	11.5	1.1	2.5	163	817	0.714
GAC65S	65	100	23	22	23	93.5	6.5	11.5	1.1	1	180	905	0.759
GAC70S	70	110	25	23	25	102	7.2	12.5	1.1	2	206	1030	1.04
GAC75S	75	115	25	24	25	107	7.9	12.5	1.1	1	220	1129	1.12
GAC80S	80	125	29	25.5	29	115	8.6	14.5	1.1	3.5	258	1290	1.54
GAC85S	85	130	29	26.5	29	122	9.4	14.5	1.1	2	284	1422	1.61
GAC90S	90	140	32	28	32	128.5	10.1	16	1.5	3.5	316	1580	2.09
GAC95S	95	145	32	29.5	32	135	10.8	16	1.5	2	350	1750	2.22
GAC100S	100	150	32	31	32	141	11.6	16	1.5	0.5	384	1923	2.34
GAC105S	105	160	35	32.5	35	148	12.3	17.5	2	2	423	2116	2.93
GAC110S	110	170	38	34	38	155	13	19	2	3	463	2318	3.68
GAC120S	120	180	38	37	38	168	14.5	19	2	0.5	547	2735	3.97
GAC130S	130	200	45	43	45	188	18	19	2.5	1	710	3550	5.92
GAC140S	140	210	45	43	45	198	19	19	2.5	1	740	3740	6.33
GAC150S	150	225	48	46	48	211	20	20.5	3	1	850	4270	8.01
GAC160S	160	240	51	49	51	225	20	22	3	1	970	4850	9.42
GAC170S	170	260	57	55	57	246	21	27	3	1	1190	5950	12.3
GAC180S	180	280	64	61	64	260	21	28	3	1	1395	6970	17.4
GAC190S	190	290	64	62	64	275	26	30	3	0.5	1500	7500	18.2
GAC200S	200	310	70	66	70	290	26	30	3	1.5	1680	8420	22.5

# Rod End

## Steel on Steel - Inch Series



### COM

Unit No.	Dimensions (inch)							Ball Diameter Ref.	Load Rating lbf / N static	Weight lbs
	d	D	C	B	O	M	a			
COM 2	0.1650	0.4687	0.187	0.250	0.235	0.020	9.0	0.343	3 200	0.01
COM 3	0.1900	0.5625	0.218	0.281	0.293	0.015	11.0	0.406	4 875	0.01
COM 4	0.2500	0.6562	0.250	0.343	0.364	0.022	13.5	0.500	7 425	0.02
COM 5	0.3125	0.7500	0.281	0.375	0.419	0.032	12.0	0.562	9 713	0.03
COM 6	0.3750	0.8125	0.312	0.406	0.516	0.032	10.0	0.656	12 600	0.04
COM 7	0.4375	0.9062	0.343	0.437	0.530	0.032	8.0	0.687	14 180	0.05
COM 8	0.5000	1.0000	0.390	0.500	0.640	0.032	9.5	0.781	19 875	0.07
COM 9	0.5625	1.0937	0.437	0.562	0.710	0.032	9.5	0.875	24 945	0.09
COM 10	0.6250	1.1875	0.500	0.625	0.780	0.032	8.5	0.968	31 920	0.11
COM 12	0.7500	1.4375	0.593	0.750	0.920	0.044	9.0	1.187	47 880	0.20
COM 14	0.8750	1.5625	0.703	0.875	0.980	0.044	9.5	1.312	62 940	0.26
COM 16	1.0000	1.7500	0.797	1.000	1.118	0.044	10.0	1.500	82 800	0.39

### HCOM

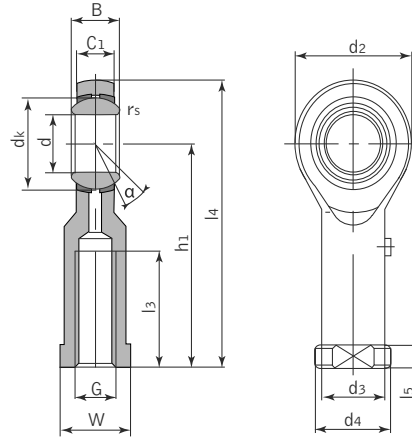
Unit No.	Dimensions (inch)							Ball Diameter Ref.	Load Rating lbf / N static	Weight lbs
	d	D	C	B	O	M	a			
HCOM 16	1.0000	2.0000	0.781	1.000	1.360	0.032	9.0	1.687	106 230	0.55
HCOM 19	1.1875	2.3750	0.937	1.187	1.610	0.032	8.5	2.000	151 095	0.90
HCOM 20	1.2500	2.3750	0.937	1.187	1.610	0.032	8.5	2.000	151 095	0.90
HCOM 24	1.5000	2.7500	1.094	1.375	1.860	0.032	8.5	2.312	203 925	1.36
HCOM 28	1.7500	3.1250	1.250	1.562	2.110	0.044	8.0	2.625	264 555	1.95
HCOM 32	2.0000	3.5000	1.375	1.750	2.360	0.044	8.5	2.937	325 590	2.66

\*Optional PTFE lining. Add -T after part number.



# Rod End

## Steel-on-Bronze



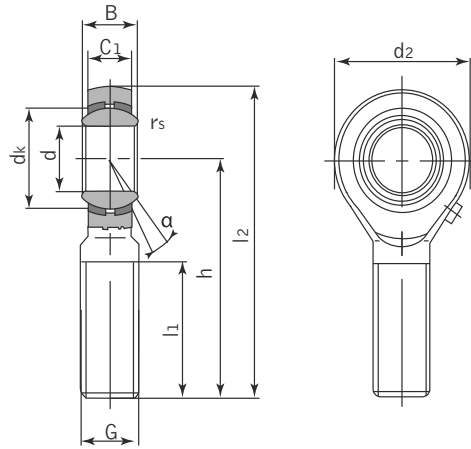
## SIBP

Bearing Number	Dimensions (mm)														Load Ratings kN		Weight ~kg	
	d	B	dK	C1 Max	d2	G 6H	h1	l3 Min	l4	l5	W	d3	d4	rs min	$\alpha^\circ \approx$	Dynamic		Static
SIBP5S	5	8	11.112	6	16	M5	27	14	35	4	9	9	11	0.3	13	3.3	4.1	0.016
SIBP6S	6	9	12.7	6.75	18	M6	30	14	39	5	11	10	13	0.3	13	4.3	5.3	0.026
SIBP8S	8	12	15.88	9	22	M8	36	17	47	5	14	12.5	16	0.3	14	6.8	8.5	0.044
SIBP10S	10	14	19.05	10.5	26	M10	43	21	56	6.5	17	15	19	0.3	14	10	11	0.072
SIBP10S/B1	10	14	19.05	10.5	26	M10x1.25	43	21	56	6.5	17	15	19	0.3	14	10	11	0.072
SIBP12S	12	16	22.23	12	30	M12	50	24	65	6.5	19	17.5	22	0.3	13	13	14	0.108
SIBP12S/B2	12	16	22.23	12	30	M12x1.25	50	24	65	6.5	19	17.5	22	0.3	13	13	14	0.108
SIBP14S	14	19	25.4	13.5	34	M14	57	27	74	8	22	20	25	0.3	16	17	20	0.161
SIBP14S/B1	14	19	25.4	13.5	34	M14x1.5	57	27	74	8	22	20	25	0.3	16	17	20	0.161
SIBP16S	16	21	28.58	15	38	M16	64	33	83	8	22	22	27	0.3	15	21	25	0.225
SIBP16S/B1	16	21	28.58	15	38	M16x1.5	64	33	83	8	22	22	27	0.3	15	20	25	0.225
SIBP18S	18	23	31.75	16.5	42	M18x1.5	71	36	92	10	27	25	31	0.6	15	26	30	0.295
SIBP20S	20	25	34.93	18	46	M20x1.5	77	40	100	10	30	27.5	34	0.6	15	31	35	0.382
SIBP22S	22	28	38.1	20	50	M22x1.5	84	43	109	12	32	30	37	0.6	15	38	43	0.488
SIBP25S	25	31	42.86	22	60	M24x2	94	48	124	12	36	33.5	42	0.6	15	47	65	0.749
SIBP28S	28	35	47.63	25	66	M27x2	103	53	136	12	41	37	46	0.6	15	59	77	0.949
SIBP30S	30	37	50.8	25	70	M30x2	110	56	145	15	41	40	50	0.6	17	63	86	1.13

Can supply other rod ends with different pitch or accuracy of thread.  
 For left-hand thread suffix "L" is added to bearings number and thread sign e.g. SILBP20S.

# Rod End

## Steel-on-Bronze



## SABP

Bearing Number	Dimensions (mm)							Load Ratings kN					Weight ~kg	
	d	B	dk	C1 Max	d2	G 6G	h	l1 min	l2	rs min	$\alpha^\circ \approx$	Dynamic		Static
SABP 5S	5	8	11.112	6	16	M5	33	20	41	0.3	13	3.3	3.9	0.016
SABP 6S	6	9	12.7	6.75	18	M6	36	22	45	0.3	13	4.3	5.3	0.026
SABP 8S	8	12	15.88	9	22	M8	42	25	53	0.3	14	6.8	8.5	0.044
SABP 10S	10	14	19.05	10.5	26	M10	48	29	61	0.3	14	10	11	0.072
SABP 10S/B1	10	14	19.05	10.5	26	M10 X 1.25	48	29	61	0.3	14	10	11	0.072
SABP 12S	12	16	22.23	12	30	M12	54	33	69	0.3	13	13	14	0.108
SABP 12S/B2	12	16	22.23	12	30	M12 X 1.25	54	33	69	0.3	13	10	15.8	0.085
SABP 14S	14	19	25.4	13.5	34	M14	60	36	77	0.3	16	17	20	0.161
SABP 14S/B1	14	19	25.4	13.5	34	M14 X 1.5	50	36	77	0.3	16	13	22.1	0.126
SABP 16S	16	21	28.58	15	38	M16	66	40	85	0.3	15	21	25	0.225
SABP 16S/B1	16	21	28.58	15	38	M16 X 1.5	66	40	85	0.3	15	16	25.9	0.185
SABP 18S	18	23	31.75	16.5	42	M18x1.5	72	44	93	0.6	15	26	30	0.295
SABP 20S	20	25	34.93	18	46	M20x1.5	78	47	101	0.6	15	31	35	0.382
SABP 22S	22	28	38.1	20	50	M22x1.5	84	51	109	0.6	15	38	43	0.488
SABP 25S	25	31	42.86	22	60	M24x2	94	57	124	0.6	15	47	65	0.749
SABP 28S	28	35	47.63	25	66	M27x2	103	62	136	0.6	15	59	77	0.949
SABP 30S	30	37	50.8	25	70	M30x2	110	66	145	0.6	17	63	86	1.13

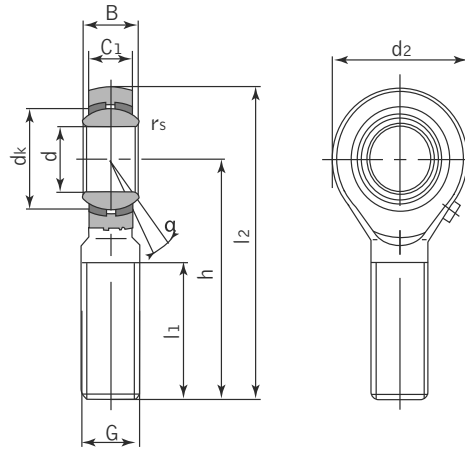
Can supply other rod ends with different pitch or accuracy of thread.

For left-hand thread suffix "L" is added to bearings number and thread sign e.g. SILBP20S.



# Rod End

## Steel-on-Bronze

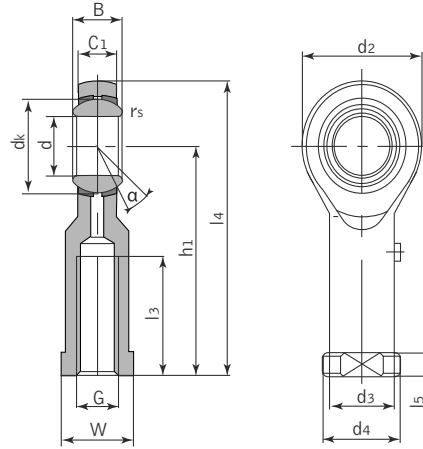


## SAZP

Bearing Number	Dimensions (inch / mm)											Load Ratings kN		Weight ~kg
	d	B	dk	C1 Max	d2	G	h	l1 min	l2	rs min	$\alpha^\circ \approx$	Dynamic	Static	
SAZP4Z	<b>0.19</b> 4.83	<b>0.312</b> 7.92	<b>0.437</b> 11.1	<b>0.25</b> 6.35	<b>0.625</b> 15.88	10-32	<b>1.25</b> 31.75	<b>0.75</b> 19.05	<b>1.563</b> 39.7	<b>0.012</b> 0.3	10	3.4	3.8	0.013
SAZP6Z	<b>0.25</b> 6.35	<b>0.375</b> 9.53	<b>0.5</b> 12.7	<b>0.281</b> 7.14	<b>0.75</b> 19.05	1/4-28	<b>1.562</b> 39.67	<b>1</b> 25.4	<b>1.937</b> 49.2	<b>0.012</b> 0.3	13	4.5	6.6	0.022
SAZP7Z	<b>0.3125</b> 7.94	<b>0.437</b> 11.1	<b>0.625</b> 15.88	<b>0.344</b> 8.74	<b>0.875</b> 22.23	5/16-24	<b>1.875</b> 47.63	<b>1.25</b> 31.75	<b>2.312</b> 58.72	<b>0.012</b> 0.3	10	6.9	8.4	0.037
SAZP9Z	<b>0.375</b> 9.53	<b>0.5</b> 12.7	<b>0.719</b> 18.26	<b>0.406</b> 10.31	<b>1</b> 25.4	3/8-24	<b>1.938</b> 49.23	<b>1.25</b> 31.75	<b>2.438</b> 61.93	<b>0.024</b> 0.6	9	9.4	10	0.055
SAZP11Z	<b>0.4375</b> 11.11	<b>0.562</b> 14.27	<b>0.812</b> 20.62	<b>0.437</b> 11.1	<b>1.125</b> 28.58	7/16-20	<b>2.125</b> 53.98	<b>1.375</b> 34.93	<b>2.688</b> 68.28	<b>0.024</b> 0.6	11	11	13	0.078
SAZP12Z	<b>0.5</b> 12.7	<b>0.625</b> 15.88	<b>0.937</b> 23.81	<b>0.5</b> 12.7	<b>1.312</b> 33.32	1/2-20	<b>2.438</b> 61.93	<b>1.5</b> 38.1	<b>3.094</b> 78.59	<b>0.024</b> 0.6	9	15	19	0.12
SAZP15Z	<b>0.625</b> 15.88	<b>0.75</b> 19.05	<b>1.125</b> 28.58	<b>0.562</b> 14.27	<b>1.5</b> 38.1	5/8-18	<b>2.625</b> 66.68	<b>1.625</b> 41.28	<b>3.375</b> 85.73	<b>0.024</b> 0.6	11	20	21	0.18
SAZP19Z	<b>0.75</b> 19.05	<b>0.875</b> 22.23	<b>1.312</b> 33.32	<b>0.687</b> 17.45	<b>1.75</b> 44.45	3/4-16	<b>2.875</b> 73.03	<b>1.75</b> 44.45	<b>3.75</b> 95.25	<b>0.024</b> 0.6	10	29	29	0.29
SAZP25Z	<b>1</b> 25.4	<b>1.375</b> 34.93	<b>1.875</b> 47.63	<b>1</b> 25.4	<b>2.75</b> 69.85	1 1/4-12	<b>4.125</b> 104.78	<b>2.125</b> 53.98	<b>5.5</b> 139.7	<b>0.024</b> 0.6	14	60	101	1.1

For left-hand thread, suffix "L" is added to bearings number e.g. SALZP12Z.

# Rod End Steel-on-Bronze



## SIZP

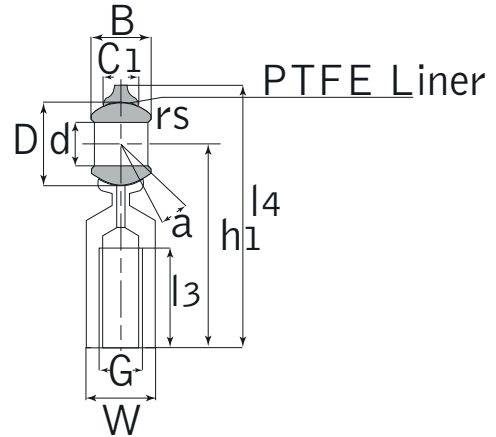
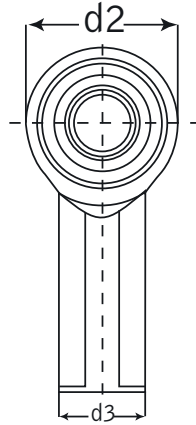
Bearing Number	Dimensions (inch / mm)															Load Ratings kN		Weight ~kg
	d	B	dK	C1 Max	d2	G	h1	l3 Min	l4	l5	W	d3	d4	rs Min	$\alpha^\circ$ $\approx$	Dynamic	Static	
SIZP4Z	<b>0.187</b> 4.83	<b>7.92</b> 0.312	<b>0.437</b> 11.1	<b>0.25</b> 6.35	<b>0.625</b> 15.88	10-32	<b>1.062</b> 26.97	<b>0.562</b> 14.27	<b>1.375</b> 34.93	<b>0.187</b> 4.75	<b>0.312</b> 7.92	<b>0.297</b> 7.54	<b>0.406</b> 10.31	<b>0.012</b> 0.3	10	3.4	4.6	0.015
SIZP6Z	<b>0.25</b> 6.35	<b>0.375</b> 9.53	<b>0.5</b> 12.7	<b>0.281</b> 7.14	<b>0.750</b> 19.05	1/4-28	<b>1.312</b> 33.32	<b>0.75</b> 19.05	<b>1.687</b> 42.85	<b>0.187</b> 4.75	<b>0.375</b> 9.53	<b>0.36</b> 9.15	<b>0.469</b> 11.91	<b>0.012</b> 0.3	13	4.5	7.7	0.025
SIZP7Z	<b>0.3125</b> 7.94	<b>0.437</b> 11.1	<b>0.625</b> 15.88	<b>0.344</b> 8.74	<b>0.875</b> 22.23	5/16-24	<b>1.375</b> 34.93	<b>0.750</b> 19.05	<b>1.812</b> 46.02	<b>0.187</b> 4.75	<b>0.437</b> 11.1	<b>0.422</b> 10.72	<b>0.5</b> 12.7	<b>0.012</b> 0.3	10	6.9	8.4	0.036
SIZP9Z	<b>0.375</b> 9.53	<b>0.5</b> 12.7	<b>0.719</b> 18.26	<b>0.406</b> 10.31	<b>1</b> 25.4	3/8-24	<b>1.625</b> 41.28	<b>0.937</b> 23.81	<b>2.125</b> 53.98	<b>0.25</b> 6.35	<b>14.27</b> 0.562	<b>0.547</b> 13.89	<b>17.45</b> 0.687	<b>0.024</b> 0.6	9	9.4	10	0.061
SIZP11Z	<b>0.437</b> 11.1	<b>0.562</b> 14.27	<b>0.812</b> 20.62	<b>0.437</b> 11.1	<b>1.125</b> 28.58	7/16-20	<b>1.812</b> 46.02	<b>1.062</b> 26.97	<b>2.375</b> 60.33	<b>0.25</b> 6.35	<b>0.625</b> 15.88	<b>0.61</b> 15.49	<b>0.750</b> 19.05	<b>0.024</b> 0.6	11	11	13	0.081
SIZP12Z	<b>0.5</b> 12.7	<b>0.625</b> 15.88	<b>0.937</b> 23.81	<b>0.5</b> 12.7	<b>1.312</b> 33.32	1/2-20	<b>2.125</b> 53.98	<b>1.187</b> 30.15	<b>2.781</b> 70.64	<b>0.25</b> 6.35	<b>0.750</b> 19.05	<b>0.735</b> 18.67	<b>0.875</b> 22.23	<b>0.024</b> 0.6	9	15	19	0.133
SIZP15Z	<b>0.625</b> 15.88	<b>0.750</b> 19.05	<b>1.125</b> 28.58	<b>0.562</b> 14.27	<b>1.5</b> 38.1	5/8-18	<b>2.5</b> 63.5	<b>1.5</b> 38.1	<b>3.25</b> 82.55	<b>0.312</b> 7.92	<b>0.875</b> 22.23	<b>0.86</b> 21.84	<b>1</b> 25.4	<b>0.024</b> 0.6	11	20	21	0.19
SIZP19Z	<b>0.750</b> 19.05	<b>0.875</b> 22.23	<b>1.312</b> 33.32	<b>0.687</b> 17.45	<b>1.75</b> 44.45	3/4-16	<b>2.875</b> 73.03	<b>1.75</b> 44.45	<b>3.75</b> 95.25	<b>0.312</b> 7.92	<b>1</b> 25.4	<b>0.985</b> 25.02	<b>1.125</b> 28.58	<b>0.024</b> 0.6	10	29	29	0.285
SIZP25Z	<b>1</b> 25.4	<b>1.375</b> 34.93	<b>1.875</b> 47.63	<b>1</b> 25.4	<b>2.75</b> 69.85	1 1/4-12	<b>4.125</b> 104.78	<b>2.125</b> 53.98	<b>5.5</b> 139.7	<b>0.437</b> 11.1	<b>1.5</b> 38.1	<b>1.485</b> 37.72	<b>1.75</b> 44.45	<b>0.024</b> 0.6	14	60	101	1

For left-hand thread suffix "L" is added to bearings number e.g. SILZP12Z.



# Rod End

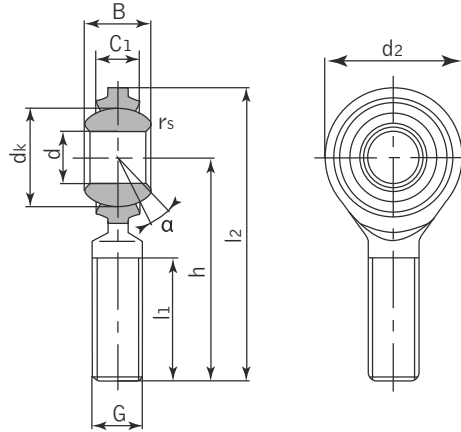
## Steel-on-Steel



## SIZJ

Bearing Number	Dimensions (inch / mm)													Load Ratings kN		Weight ~lbs	Weight ~kg
	d	B	D	C1 MAX	d2	G	h1	l3 Min	l4	W	d3	rs Min	α° ≈	Dynamic	Static		
SIZJ4	<b>0.19</b> 4.83	<b>0.312</b> 7.92	<b>0.437</b> 11.1	<b>0.234</b> 5.94	<b>0.625</b> 15.88	10-32	<b>1.062</b> 26.97	<b>0.5</b> 12.7	<b>1.375</b> 34.93	<b>0.312</b> 7.92	<b>0.406</b> 10.31	<b>0.012</b> 0.3	10	3.6	6.8	0.033	0.018
SIZJ6	<b>0.25</b> 6.35	<b>0.375</b> 9.53	<b>0.5</b> 12.7	<b>0.25</b> 6.35	<b>0.75</b> 19.05	1/4-28	<b>1.312</b> 33.32	<b>0.625</b> 15.88	<b>1.687</b> 42.85	<b>0.375</b> 9.53	<b>0.469</b> 11.91	<b>0.012</b> 0.3	13.5	5.4	9.6	0.055	0.023
SIZJ7	<b>0.3125</b> 7.94	<b>0.437</b> 11.1	<b>0.625</b> 15.88	<b>0.312</b> 7.92	<b>0.875</b> 22.23	5/16-24	<b>1.375</b> 34.93	<b>0.625</b> 15.88	<b>1.812</b> 46.02	<b>0.437</b> 11.1	<b>0.5</b> 12.7	<b>0.012</b> 0.3	11	8.5	12	0.079	0.036
SIZJ9	<b>0.375</b> 9.53	<b>0.5</b> 12.7	<b>0.719</b> 18.26	<b>0.359</b> 9.12	<b>1</b> 25.4	3/8-24	<b>1.625</b> 41.28	<b>0.75</b> 19.05	<b>2.125</b> 53.98	<b>0.562</b> 14.27	<b>17.45</b> 0.687	<b>0.024</b> 0.6	11	11	16	0.134	0.059
SIZJ11	<b>0.4375</b> 11.11	<b>0.562</b> 14.27	<b>0.812</b> 20.62	<b>0.406</b> 10.31	<b>1.125</b> 28.58	7/16-20	<b>1.812</b> 46.02	<b>0.875</b> 22.23	<b>2.375</b> 60.33	<b>0.625</b> 15.88	<b>0.75</b> 19.05	<b>0.024</b> 0.6	10.5	14	21	0.178	0.082
SIZJ12	<b>0.5</b> 12.7	<b>0.625</b> 15.88	<b>0.937</b> 23.81	<b>0.453</b> 11.5	<b>1.312</b> 33.32	1/2-20	<b>2.125</b> 53.98	<b>1</b> 25.4	<b>2.781</b> 70.64	<b>0.75</b> 19.05	<b>0.875</b> 22.23	<b>0.024</b> 0.6	10	18	28	0.293	0.132
SIZJ15	<b>0.625</b> 15.88	<b>0.75</b> 19.05	<b>1.125</b> 28.58	<b>0.484</b> 12.29	<b>1.5</b> 38.1	5/8-18	<b>2.5</b> 63.5	<b>1.25</b> 31.75	<b>3.25</b> 82.55	<b>0.875</b> 22.23	<b>1</b> 25.4	<b>0.024</b> 0.6	13	23	29	0.418	0.195
SIZJ19	<b>0.75</b> 19.05	<b>0.875</b> 22.23	<b>1.312</b> 33.32	<b>0.593</b> 15.06	<b>1.75</b> 44.45	3/4-16	<b>2.875</b> 73.03	<b>1.375</b> 34.93	<b>3.75</b> 95.25	<b>1</b> 25.4	<b>1.125</b> 28.58	<b>0.024</b> 0.6	12	34	44	0.627	0.295

For left-hand thread suffix "L" is added to bearings number e.g. SILZJ12.  
Also available with grease fitting, add letter "G" at the end e. g. SIZJ19G.



## SAZJ

Bearing Number	Dimensions (inch / mm)											Load Ratings kN		Weight ~kg
	d	B	dK	C1 MAX	d2	G	h	l1 Min	l2	rs min	$\alpha^\circ \approx$	Dynamic	Static	
SAZJ4	<b>0.19</b> 4.83	<b>0.312</b> 7.92	<b>0.437</b> 11.1	<b>0.234</b> 5.94	<b>0.625</b> 15.88	10-32	<b>1.25</b> 31.75	<b>0.75</b> 19.05	<b>1.563</b> 39.7	<b>0.012</b> 0.3	10	3.6	3.8	0.014
SAZJ6	<b>0.25</b> 6.35	<b>0.375</b> 9.53	<b>0.5</b> 12.7	<b>0.25</b> 6.35	<b>0.75</b> 19.05	1/4-28	<b>1.562</b> 39.67	<b>1</b> 25.4	<b>1.937</b> 49.2	<b>0.012</b> 0.3	13.5	5.4	6.6	0.018
SAZJ7	<b>0.3125</b> 7.94	<b>0.437</b> 11.1	<b>0.625</b> 15.88	<b>0.312</b> 7.92	<b>0.875</b> 22.23	5/16-24	<b>1.875</b> 47.63	<b>1.25</b> 31.75	<b>2.312</b> 58.72	<b>0.012</b> 0.3	11	8.5	12	0.032
SAZJ9	<b>0.375</b> 9.53	<b>0.5</b> 12.7	<b>0.719</b> 18.26	<b>0.359</b> 9.12	<b>1</b> 25.4	3/8-24	<b>1.938</b> 49.23	<b>1.25</b> 31.75	<b>2.438</b> 61.93	<b>0.024</b> 0.6	11	11	16	0.05
SAZJ11	<b>0.4375</b> 11.11	<b>0.562</b> 14.27	<b>0.812</b> 20.62	<b>0.406</b> 10.31	<b>1.125</b> 28.58	7/16-20	<b>2.125</b> 53.98	<b>1.375</b> 34.93	<b>2.688</b> 68.28	<b>0.024</b> 0.6	10.5	14	21	0.068
SAZJ12	<b>0.5</b> 12.7	<b>0.625</b> 15.88	<b>0.937</b> 23.81	<b>0.453</b> 11.5	<b>1.312</b> 33.32	1/2-20	<b>2.438</b> 61.93	<b>1.5</b> 38.1	<b>3.094</b> 78.59	<b>0.024</b> 0.6	10	18	28	0.11
SAZJ15	<b>0.625</b> 15.88	<b>0.75</b> 19.05	<b>1.125</b> 28.58	<b>0.484</b> 12.29	<b>1.5</b> 38.1	5/8-18	<b>2.625</b> 66.68	<b>1.625</b> 41.28	<b>3.375</b> 85.73	<b>0.024</b> 0.6	13	23	29	0.16
SAZJ19	<b>0.75</b> 19.05	<b>0.875</b> 22.23	<b>1.312</b> 33.32	<b>0.593</b> 15.06	<b>1.75</b> 44.45	3/4-16	<b>2.875</b> 73.03	<b>1.75</b> 44.45	<b>3.75</b> 95.25	<b>0.024</b> 0.6	12	34	44	0.26

For left-hand thread suffix "L" is added to bearings number e.g. SALZJ12.  
Also available with grease fitting, add letter "G" at the end e.g. SAZJ19G.



# Interchange Table

## Plain Spherical Bearings

GRB	SKF	Torrington	IKO	RBC	Elges
GE..E	GE..E		GE..E		GE..DO
GE..ES	GE..ES	..FS..	GE..ES	MB..	GE..DO
GE..ES 2RS	GE..ES 2RS	..FS..TT	GE..ES 2RS	MB..SS	GE..DO 2RS
GEG..E	GEH..E		GE..G		GE..FO
GEG..ES	GEH..ES		GE..GS	MBH..	GE..FO
GEG..ES 2RS	GEH..ES 2RS		GE..GS 2RS	MBH..SS	GE..FO 2RS
GEEW..ES	GEG..ES				GE..LO
GEEM..ES 2RS	GEM..ES 2RS				GE..HO 2RS
GEZ..ES	GEZ..ES	..SF..	SBB..	B..L	GE..ZO
GEZ..ES 2RS	GEZ..ES 2RS	..SF..TT	SBB..2RS	B..LSS	GE..ZO 2RS
GEWZ..ES	GEZM..ES			B..EL	
GEWZ..ES 2RS	GEZM..ES 2RS			B..ELSS	
GEGZ..ES				BH..L	
GEGZ..ES 2RS				BH..LSS	
GE..C	GE..C		GE..EC	GE..EC	GE..UK
GEG..C	GEH..C				GE..FW
GE..ET/XT 2RS				BMB..FSS	GE..D 2RS
GEZ..ET 2RS				B..FSS	
GACZ..S	GAZ..SA	..SBT..		B..SA	
GAC..S	GAC..S			MB..SA	GE..SX

## Rod Ends

GRB	IKO	Aurora	Heim	Alinabal	Spherco
SIZP..Z	PHSB		HF	VF	TF
SILZP..Z	PHSB..L		HFL	VFL	TFL
SAZP..Z	POSB		HM	VM	TM
SALZP..Z	POSB..L		HML	VML	TML
SIBP..S	PHS				
SILBP..S	PHSL				
SABP..S	POS				
SALBP..S	POSL				
SIZJ (CFR)		CW			CFF
SILZJ (CFL)		CG			CFFL
SAZJ (CMR)		CM		AM	CFM
SALZJ (CML)		CB			CFML