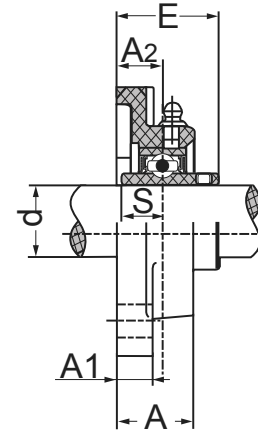
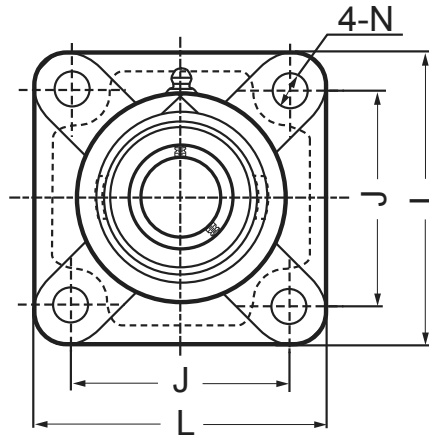
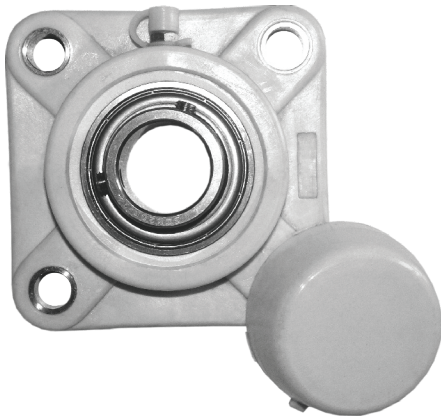




Thermoplastic

SUCTF 200 Series



Unit No.	Shaft Diameter (inch / mm)	Dimensions (inch / mm)								Bolt Size	Bearing No.	Housing No.	Mass	
		d	L	J	A1	A	N	E	A2				S	kg
SUCTF 201 201-8 202 202-10 203 204-12 204	12 mm 1/2 15 mm 5/8 17 mm 3/4 20 mm	3-3/8 86	2.-1/2 63.5	33/64 13.4	1-3/32 27.8	7/16 11	1-27/64 36.3	45/64 18	1/2 12.7	3/8 M10	SUC 201 201-8 202 202-10 203 204-12 204	TF 204	.29	.71
SUCTF 205-14 205-15 205 205-16	7/8 15/16 25 mm 1	3-3/4 95	2-3/4 70	9/16 14	1-7/64 28	7/16 11	1.29/64 36.7	21/32 17	9/16 14.3	3/8 M10	SUC 205-14 205-15 205 205-16	TF 205	.34	.80
SUCTF 206-18 206 206-19 206-20	1-1/8 30 mm 1-3/16 1-1/4	4-1/4 107	3-1/4 83	9/16 14.3	1-1/4 31.5	7/16 11	1-5/8 41.4	3/4 19.2	5/8 15.9	3/8 M10	SUC 206-18 206 206-19 206-20	TF 206	.54	1.12
SUCTF 207-20 207-21 207-22 207 207-23	1-1/4 1-5/16 1-3/8 35 mm 1-7/16	4-5/8 118	3-5/8 92	39/64 15.5	1-3/8 34.8	33/64 13	1-27/32 46.9	27/32 21.5	11/16 17.5	1/2 M12	SUC 207-20 207-21 207-22 207 207-23	TF 207	.78	1.65
SUCTF 208-24 208-25 208	1-1/2 1-9/16 40 mm	5-1/8 130	4 102	21/32 17	1-15/32 37.5	35/64 14	2-3/32 53.2	29/32 23	3/4 19	1/2 M12	SUC 208-24 208-25 208	TF 208	.97	2.15
SUCTF 209-26 209-27 209-28 209	1-5/8 1-11/16 1-3/4 45 mm	5-3/8 137	4-1/8 105	3/4 19	1-39/64 41	21/32 17	2-43/64 57.6	15/16 24	3/4 19	5/8 M16	SUC 209-26 209-27 209-28 209	TF 209	1.09	2.45
SUCTF 210-30 210-31 210 210-32	1-7/8 1-15/16 50 mm 2	5-5/8 143	4-3/8 111	53/64 21	1-11/16 43	21/32 17	2-43/64 57.6	63/64 25	3/4 19	5/8 M16	SUC 210-30 210-31 210 210-32	TF 210	1.20	2.79