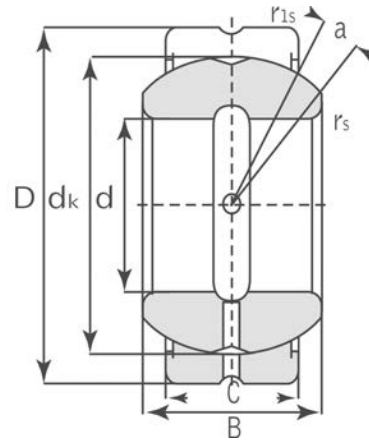


Spherical Plain



GEGZ ES / GEGZ ES-2RS

Bearing Number		Dimensions (inch / mm)								Load Ratings kN		Weight ~kg
		d	D	B	C	dk	min rs	min r1s	a°	Dynamic	Static	
GEGZ31ES	GEGZ31ES-2RS	1.25 31.75	2.4375 61.913	1.39 35.306	1.125 28.575	2.155 54.7	0.024 0.6	0.04 1	15	125	375	0.454
GEGZ38ES	GEGZ38ES-2RS	1.5 38.1	2.8125 71.438	1.58 40.132	1.312 33.325	2.515 63.9	0.024 0.6	0.04 1	14	170	510	0.726
GEGZ44ES	GEGZ44ES-2RS	1.75 44.45	3.1875 80.963	1.82 46.228	1.5 38.1	2.875 73	0.024 0.6	0.04 1	14	224	670	1.14
GEGZ50ES	GEGZ50ES-2RS	2 50.8	3.5625 90.488	2.07 52.578	1.687 42.85	3.235 82	0.024 0.6	0.04 1	14	280	850	1.68
GEGZ57ES	GEGZ57ES-2RS	2.25 57.15	3.9375 100.013	2.318 58.877	1.875 47.625	3.59 92	0.024 0.6	0.04 1	14	355	1060	2.01
GEGZ63ES	GEGZ63ES-2RS	2.5 63.5	4.375 111.125	2.545 64.643	2.062 52.375	3.95 100	0.04 1	0.04 1	14	415	1250	2.95
GEGZ69ES	GEGZ69ES-2RS	2.75 69.85	4.75 120.65	2.79 70.866	2.25 57.15	4.312 109.5	0.04 1	0.04 1	14	500	1500	3.63
GEGZ76ES	GEGZ76ES-2RS	3 76.2	5.125 130.175	3.022 76.759	2.437 61.9	4.675 119	0.04 1	0.04 1	14	585	1760	4.36
GEGZ82ES	GEGZ82ES-2RS	3.25 82.55	5.5 139.7	3.265 82.931	2.625 66.675	5.04 128	0.04 1	0.04 1	14	680	2040	5.31
GEGZ88ES	GEGZ88ES-2RS	3.5 88.9	5.875 149.225	3.56 90.424	2.812 71.425	5.39 137	0.04 1	0.04 1	14	780	2360	6.81
GEGZ95ES	GEGZ95ES-2RS	3.75 95.25	6.25 158.75	3.738 94.945	3 76.2	5.75 146	0.04 1	0.04 1	14	900	2650	8.85
GEGZ101ES	GEGZ101ES-2RS	4 101.6	7 177.8	4.225 107.315	3.375 85.725	6.475 164.5	0.04 1	0.04 1	10	1120	3400	10.2
GEGZ114ES	GEGZ114ES-2RS	4.5 114.3	7.75 196.85	4.69 119.126	3.75 95.25	7.19 183	0.04 1	0.04 1	10	1400	4150	13.6
GEGZ139ES	GEGZ139ES-2RS	5.5 139.7	8.75 222.25	4.95 125.73	4.125 104.775	8.156 207	0.04 1	0.04 1	9	1730	5200	20.4