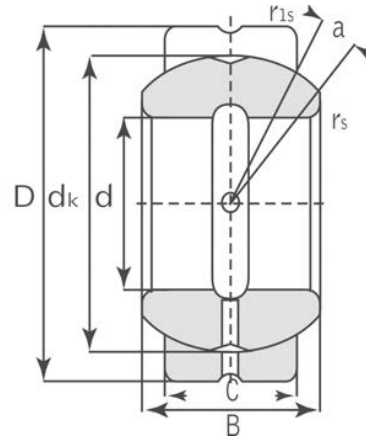


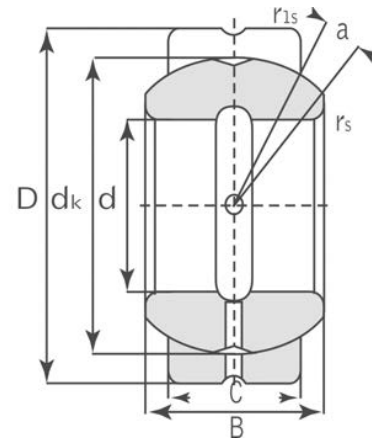


Spherical Plain



GEZ ES / GEZ ES-2RS

Bearing Number		Dimensions (inch / mm)								Load Ratings kN		Weight ~ kg
		d	D	B	C	dk	min rs	min r1s	a	Dynamic	Static	
GEZ12ES		0.5 12.7	0.875 22.22	0.437 11.1	0.375 9.52	0.707 18	0.006 0.15	0.024 0.6	6	13	41	0.022
GEZ15ES		0.625 15.87	1.0625 26.99	0.547 13.89	0.469 11.91	0.904 23	0.006 0.15	0.024 0.6	6	22	65	0.036
GEZ19ES	GEZ19ES-2RS	0.75 19.050	1.25 31.750	0.656 16.662	0.562 14.275	1.081 27.5	0.012 0.3	0.024 0.6	6	31	95	0.053
GEZ22ES	GEZ22ES-2RS	0.875 22.225	1.4375 36.513	0.756 19.431	0.656 16.662	1.258 32	0.012 0.3	0.024 0.6	6	42	127	0.085
GEZ25ES	GEZ25ES-2RS	1 25.400	1.625 41.275	0.875 22.225	0.75 19.050	1.437 36.5	0.012 0.3	0.024 0.6	6	56	166	0.121
GEZ31ES	GEZ31ES-2RS	1.25 31.750	2 50.800	1.093 27.762	0.937 23.800	1.788 45.5	0.024 0.6	0.024 0.6	6	86	260	0.23
GEZ34ES	GEZ34ES-2RS	1.375 34.925	2.1875 55.563	1.187 30.150	1.031 26.187	1.926 49	0.024 0.6	0.04 1	6	102	310	0.35
GEZ38ES	GEZ38ES-2RS	1.5 38.100	2.4375 61.913	1.312 33.325	1.125 28.575	2.154 54.7	0.024 0.6	0.04 1	6	125	375	0.42
GEZ44ES	GEZ44ES-2RS	1.75 44.450	2.8125 71.438	1.531 38.887	1.312 33.325	2.511 63.9	0.024 0.6	0.04 1	6	170	510	0.64
GEZ50ES	GEZ50ES-2RS	2 50.800	3.1875 80.963	1.75 44.450	1.5 38.100	2.869 73	0.024 0.6	0.04 1	6	224	670	0.93
GEZ57ES	GEZ57ES-2RS	2.25 57.150	3.5625 90.488	1.969 50.013	1.687 42.850	3.223 82	0.024 0.6	0.04 1	6	280	850	1.3
GEZ63ES	GEZ63ES-2RS	2.5 63.500	3.9375 100.013	2.187 55.550	1.875 47.625	3.616 92	0.04 1	0.04 1	6	355	1060	1.85



GEZ ES / GEZ ES-2RS

Bearing Number		Dimensions (inch / mm)								Load Ratings kN		Weight ~ kg
		d	D	B	C	dk	min rs	min r1s	a ~	Dynamic	Static	
GEZ69ES	GEZ69ES-2RS	2.75 69.850	4.375 111.125	2.406 61.112	2.062 52.375	3.937 100	0.04 1	0.04 1	6	415	1250	2.4
GEZ76ES	GEZ76ES-2RS	3 76.200	4.75 120.650	2.625 66.675	2.25 57.150	4.303 109.5	0.04 1	0.04 1	6	500	1500	3.1
GEZ82ES	GEZ82ES-2RS	3.25 82.550	5.125 130.175	2.844 72.238	2.437 61.900	4.685 119	0.04 1	0.04 1	6	585	1760	3.8
GEZ88ES	GEZ88ES-2RS	3.5 88.900	5.5 139.700	3.062 77.775	2.625 66.675	5.04 128	0.04 1	0.04 1	6	680	2040	4.8
GEZ95ES	GEZ95ES-2RS	3.75 95.250	5.875 149.225	3.281 83.337	2.812 71.425	5.393 137	0.04 1	0.04 1	6	780	2360	5.8
GEZ101ES	GEZ101ES-2RS	4 101.600	6.25 158.750	3.5 88.900	3 76.200	5.748 146	0.04 1	0.04 1	6	900	2650	7
GEZ107ES	GEZ107ES-2RS	4.25 107.950	6.625 168.275	3.719 94.463	3.187 80.950	6.102 155	0.04 1	0.04 1	6	1000	3000	8.41
GEZ114ES	GEZ114ES-2RS	4.5 114.300	7 177.800	3.937 100.013	3.375 85.725	6.476 164.5	0.04 1	0.04 1	6	1120	3400	9.8
GEZ120ES	GEZ120ES-2RS	4.75 120.650	7.375 187.325	4.156 105.562	3.562 90.475	6.83 173.5	0.04 1	0.04 1	6	1250	3750	11.5
GEZ127ES	GEZ127ES-2RS	5 127.000	7.75 196.850	4.375 111.125	3.75 95.250	7.204 183	0.04 1	0.04 1	6	1400	4150	13.5
GEZ152ES	GEZ152ES-2RS	6 152.400	8.75 222.250	4.75 120.65	4.125 104.775	8.15 207	0.04 1	0.04 1	5	1730	5200	17.5