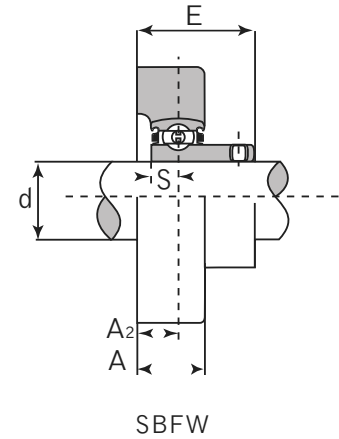
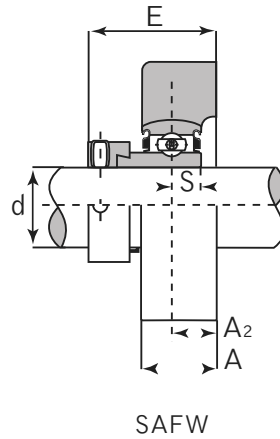
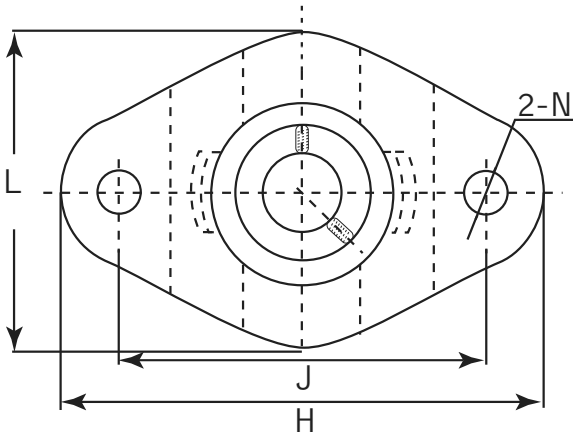




Two-Bolt Holes Flange Unit

Light Duty



SAFW Eccentric Locking Collar SBFW Set Screw Locking

Unit No. SAFW SBFW	Shaft Dia. (inch / mm)	Dimensions (inch / mm)						SAFW		SBFW		Bolt Size	Bearing No. SA / SB	Housing No.	Weight				
		H	J	L	A	A2	N	S	E	S	E				kg	lbs			
201 201-8	12 mm 1/2												201 201-8	FW 203	0.30	0.66			
202 202-10	15 mm 5/8	3-3/16 81	2-1/2 63.5	2-5/16 58.7	19/32 15	11/32 8.5	9/32 7	0.2559 6.5	1.2047 30.6	0.2362 6	0.9645 24.5	1/2 M6	202 202-10						
203 203-11	17 mm 11/16												203 203-11						
204 204-12	20 mm 3/4	3-9/16 90.5	2-13/16 71.4	2-5/8 66.5	5/16 17	3/8 9.5	11/32 9	0.2952 7.5	1.2992 33	0.2755 7	1.0826 27.5	5/16 M8	204 204-12				FW 204	0.40	0.88
205 205-14	25 mm 7/8	3-13/16 97	3 76.2	2-25/32 71	11/16 17.5	3/8 9.5	11/32 9	0.2952 7.5	1.2992 33	0.2952 7.5	1.1417 29	5/16 M8	205 205-14				FW 205	0.50	1.10
205-15	15/16												205-15						
205-16	1												205-16						
206 206-18	30 mm 1-1/8	4-7/16 112.5	3-9/16 90.5	3-5/16 84	3/8 20.5	7/16 11.5	13/16 11.5	0.3543 9	1.5039 38.2	0.3149 8	1.3188 33.5	3/8 M10	206 206-18	FW 206	0.80	1.76			
206-19	1-3/16												206-19						
206-20	1-1/4												206-20						
207 207-20	35 mm 1-1/4	4-31/32 126	3-15/16 100	3-11/16 94	7/8 22	1/2 12.5	13/16 11.5	0.3740 9.5	1.6496 41.9	0.3346 8.5	1.4173 36	3/8 M10	207 207-20	FW 207	1.00	2.20			
207-21	1-5/16												207-21						
207-22	1-3/8												207-22						
207-23	1-7/16												207-23						
208 208-24	40 mm 1-1/2	5-29/32 150	4-11/16 119	3-15/16 100	15/16 24	9/16 14.5	9/16 14	0.4330 11	1.8582 47.2	0.3543 9	1.5551 39.5	1/2 M12	208 208-24	FW 208	1.4	3.08			
208-25	1-9/16												208-25						

The filling slots on these units are at the back of the housing.
Add (G) suffix for regreasable. (ex. SAFW 205-16G)