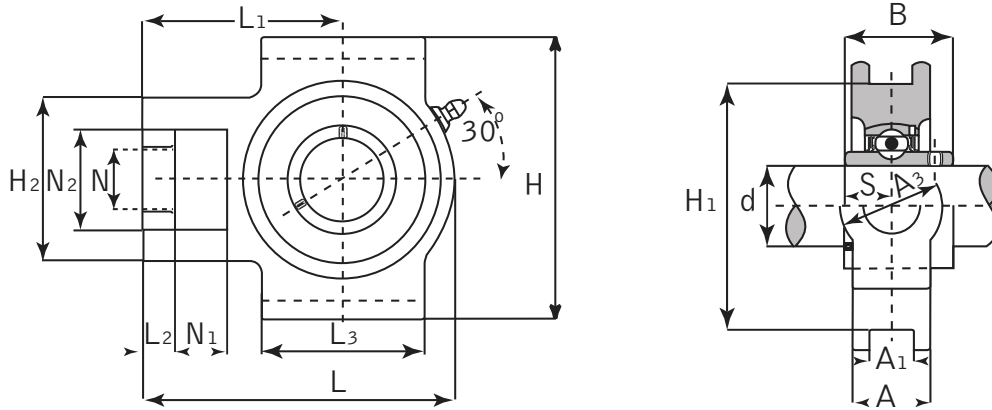




# Take Up Unit

## Normal Duty - Wide Slot



## UCST Set Screw Locking

Unit No.	Shaft Dia. (inch / mm)	Dimensions (inch / mm)															Bearing No.	Housing No.	Weight		
		d	N	N1	N2	L	L1	L2	L3	H	H1	H2	A	A1	A3	B			S	kg	lbs
UCST 201	12 mm																	UC 201		0.80	1.76
201-8	1/2																	201-8		0.79	1.74
202	15 mm																	202	ST 204	0.79	1.74
202-10	5/8	3/4	5/8	1-1/4	3-11/16	2-3/8	25/64	2-1/64	3-1/2	3	1-1/64	15/16	17/32	1-1/4	1.2204	0.500	202-10		0.79	1.74	
203	17 mm	<b>19</b>	<b>16</b>	<b>32</b>	<b>94</b>	<b>60.3</b>	<b>10</b>	<b>51</b>	<b>89</b>	<b>76.2</b>	<b>51</b>	<b>24</b>	<b>13.5</b>	<b>32</b>	<b>31</b>	<b>12.7</b>	203		0.78	1.72	
203-11	11/16																203-11		0.77	1.69	
204	20 mm																204		0.76	1.67	
204-12	3/4																204-12		0.76	1.67	
UCST 205	25 mm																	UC 205		0.81	1.78
205-14	7/8	3/4	5/8	1-1/4	3-13/16	2-7/16	25/64	2-1/64	3-1/2	3	1-1/64	15/16	17/32	1-1/4	1.3425	0.5629	205-14	ST 205	0.84	1.85	
205-15	15/16	<b>19</b>	<b>16</b>	<b>32</b>	<b>97</b>	<b>62</b>	<b>10</b>	<b>51</b>	<b>89</b>	<b>76.2</b>	<b>51</b>	<b>24</b>	<b>13.5</b>	<b>32</b>	<b>34.1</b>	<b>14.3</b>	205-15		0.82	1.80	
205-16	1																205-16		0.81	1.78	
UCST 206	30 mm																	UC 206		1.22	2.68
206-18	1-1/8	55/64	5/8	1-7/16	4-7/16	2-3/4	25/64	2-1/4	4-1/32	3-1/2	2-7/32	15/16	17/32	1-7/16	1.5590	0.6259	206-18	ST 206	1.24	2.73	
206-19	1-3/16	<b>22</b>	<b>16</b>	<b>36.5</b>	<b>113</b>	<b>70</b>	<b>10</b>	<b>57</b>	<b>102</b>	<b>89</b>	<b>56</b>	<b>24</b>	<b>13.5</b>	<b>36.5</b>	<b>38.1</b>	<b>15.9</b>	206-19		1.22	2.68	
206-20	1-1/4																206-20		1.21	2.66	
UCST 207	35 mm																	UC 207		1.44	3.17
207-20	1-1/4	55/64	5/8	1-7/16	5-3/32	3-1/16	1/2	2-1/2	4-1/32	3-1/2	2-1/2	1-3/16	17/32	1-7/16	1.6889	0.6889	207-20	ST 207	1.50	3.30	
207-21	1-5/16	<b>22</b>	<b>16</b>	<b>36.5</b>	<b>129</b>	<b>78</b>	<b>13</b>	<b>63.5</b>	<b>102</b>	<b>89</b>	<b>64</b>	<b>30</b>	<b>13.5</b>	<b>36.5</b>	<b>42.9</b>	<b>17.5</b>	207-21		1.46	3.21	
207-22	1-3/8																207-22		1.44	3.17	
207-23	1-7/16																207-23		1.41	3.10	
UCST 208	40 mm																	UC 208		2.40	5.28
208-24	1-1/2	1-7/64	3/4	1-15/16	5-21/32	3-1/2	5/8	3-1/4	4-1/2	4-1/64	3-1/4	1-3/8	11/16	1-15/16	1.9370	0.7480	208-24	ST 208	2.44	5.37	
208-25	1-9/16	<b>28</b>	<b>19</b>	<b>49</b>	<b>144</b>	<b>89</b>	<b>16</b>	<b>82.5</b>	<b>114.3</b>	<b>102</b>	<b>83</b>	<b>35</b>	<b>17.5</b>	<b>49</b>	<b>49.2</b>	<b>19.0</b>	208-25		2.41	5.30	
UCST 209	45 mm																	UC 209		2.36	5.19
209-26	1-5/8	1-7/64	3/4	1-15/16	5-21/32	3-7/16	5/8	3-1/4	4-19/32	4-1/64	3-1/4	1-3/8	11/16	1-15/16	1.9370	0.7480	209-26	ST 209	2.46	5.41	
209-27	1-11/16	<b>28</b>	<b>19</b>	<b>49</b>	<b>144</b>	<b>87</b>	<b>16</b>	<b>82.5</b>	<b>117</b>	<b>102</b>	<b>83</b>	<b>35</b>	<b>17.5</b>	<b>49</b>	<b>49.2</b>	<b>19.0</b>	209-27		2.42	5.32	
209-28	1-3/4																209-28		2.38	5.24	
UCST 210	50 mm																	UC 210		2.43	5.35
210-30	1-7/8	1-7/64	3/4	1-15/16	5-7/8	3-17/32	5/8	3-3/8	4-19/32	4-1/64	3-1/4	1-3/8	11/16	1-15/16	2.0314	0.7480	210-30	ST 210	2.50	5.50	
210-31	1-15/16	<b>28</b>	<b>19</b>	<b>49</b>	<b>149</b>	<b>90</b>	<b>16</b>	<b>85.7</b>	<b>117</b>	<b>102</b>	<b>83</b>	<b>35</b>	<b>17.5</b>	<b>49</b>	<b>51.6</b>	<b>19.0</b>	210-31		2.45	5.39	
210-32	2																210-32		2.41	5.30	
UCST 211	55 mm																	UC 211		4.11	9.04
211-32	2	1-3/8	1	2-1/2	6-23/32	4-3/16	3/4	3-3/4	5-3/4	5-1/8	4-1/32	1-5/8	1-1/16	2-1/2	2.1889	0.8740	211-32	ST 211	4.26	9.37	
211-34	2-1/8	<b>35</b>	<b>25.4</b>	<b>63.5</b>	<b>171</b>	<b>106</b>	<b>19</b>	<b>95</b>	<b>146</b>	<b>130</b>	<b>102</b>	<b>41</b>	<b>27</b>	<b>63.5</b>	<b>55.6</b>	<b>22.2</b>	211-34		4.15	9.13	
211-35	2-3/16																211-35		4.09	9.00	
UCST 212	60 mm																	UC 212		4.97	10.93
212-36	2-1/4	1-3/8	1-1/4	2-1/2	7-5/8	4-11/16	3/4	4-1/64	5-3/4	5-1/8	4-1/32	1-13/16	1-1/16	2-1/2	2.5629	1.000	212-36	ST 212	5.10	11.22	
212-38	2-3/8	<b>35</b>	<b>32</b>	<b>63.5</b>	<b>194</b>	<b>119</b>	<b>19</b>	<b>102</b>	<b>146</b>	<b>130</b>	<b>102</b>	<b>46</b>	<b>27</b>	<b>63.5</b>	<b>65.1</b>	<b>25.4</b>	212-38		4.95	10.89	
212-39	2-7/16																212-39		4.88	10.74	