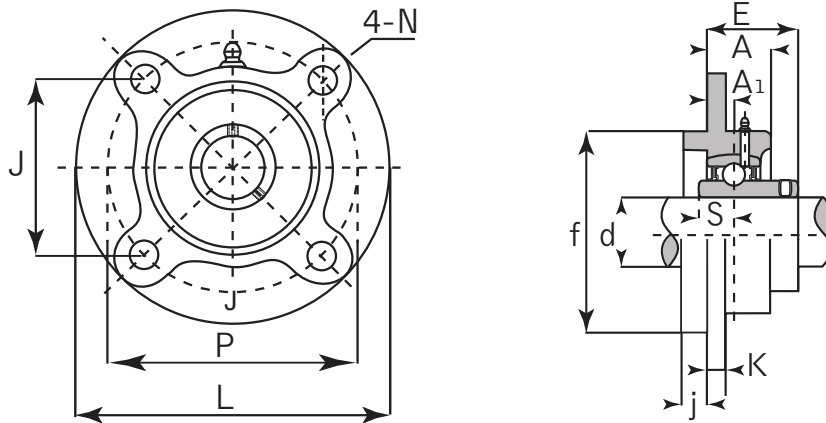




# Round Flange Cartridge Unit

Normal Duty

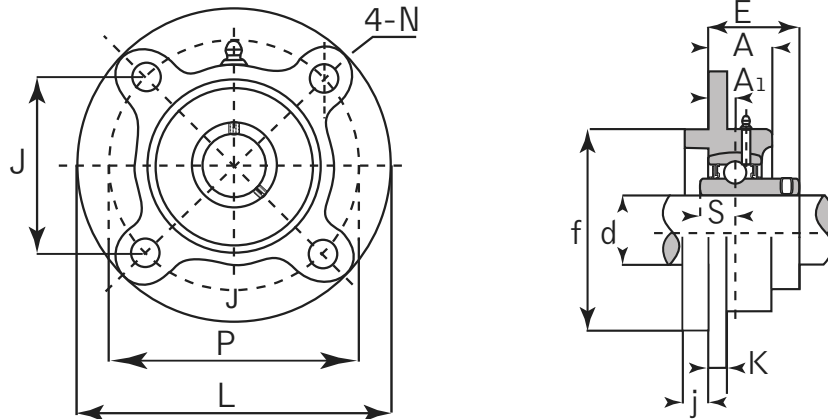


## UCFC Set Screw Locking

Unit No.	Shaft Dia. (inch / mm)	Dimensions (inch / mm)											Bolt Size (inch / mm)	Bearing No.	Housing No.	Weight				
		d	L	P	J	j	A	A1	N	K	f	E				S	kg	lbs		
UCFC 201	12 mm																		0.73	1.61
201-8	1/2																		0.72	1.58
202	15 mm																		0.72	1.58
202-10	5/8	3-15/16	3-5/64	2-11/64	13/64	13/16	13/32	15/32	15/64	2.4409	1.115	0.500	3/8	UC 201				0.72	1.58	
203	17 mm	<b>100</b>	<b>78</b>	<b>55.1</b>	<b>5</b>	<b>20.5</b>	<b>10</b>	<b>12</b>	<b>6</b>	<b>62</b>	<b>28.3</b>	<b>12.7</b>	M10	202-10	FC 204			0.71	1.56	
203-11	11/16													203				0.70	1.56	
204	20 mm													203-11				0.69	1.52	
204-12	3/4													204				0.69	1.52	
204-12														204-12				0.69	1.52	
UCFC 205	25 mm																			
205-14	7/8	4-17/32	3-35/64	2-1/2	15/64	56/64	13/32	15/32	9/32	2.7559	1.169	0.5629	3/8	UC 205				1.00	2.20	
205-15	15/16	<b>115</b>	<b>90</b>	<b>63.6</b>	<b>6</b>	<b>21</b>	<b>10</b>	<b>12</b>	<b>7</b>	<b>70</b>	<b>29.7</b>	<b>14.3</b>	M10	205-14	FC 205			1.03	2.27	
205-16	1													205-15				1.01	2.22	
205-16														205-16				1.00	2.20	
UCFC 206	30 mm																			
206-18	1-1/8	4-29/32	3-15/16	2-25/32	5/16	29/32	13/32	15/32	5/16	3.1496	1.268	0.6259	3/8	UC 206				1.30	2.86	
206-19	1-3/16	<b>125</b>	<b>100</b>	<b>70.7</b>	<b>8</b>	<b>23</b>	<b>10</b>	<b>12</b>	<b>8</b>	<b>80</b>	<b>32.2</b>	<b>15.9</b>	M10	206-18	FC 206			1.32	2.90	
206-20	1-1/4													206-19				1.30	2.86	
206-20														206-20				1.29	2.84	
UCFC 207	35 mm																			
207-20	1-1/4	5-5/16	4-21/64	3-1/16	5/16	1-1/32	7/16	35/64	23/64	3.5433	1.433	0.6889	7/16	UC 207				1.81	3.98	
207-21	1-5/16	<b>135</b>	<b>110</b>	<b>77.8</b>	<b>8</b>	<b>26</b>	<b>11</b>	<b>14</b>	<b>9</b>	<b>90</b>	<b>36.4</b>	<b>17.5</b>	M12	207-20	FC 207			1.87	4.11	
207-22	1-3/8													207-21				1.87	4.11	
207-23	1-7/16													207-22				1.81	3.98	
207-23														207-23				1.78	3.92	
UCFC 208	40 mm																			
208-24	1-1/2	5-23/32	4-23/32	3-11/32	25/64	1-1/32	7/16	35/64	23/64	3.9370	1.622	0.7480	7/16	UC 208				2.14	4.71	
208-25	1-9/16	<b>145</b>	<b>120</b>	<b>84.8</b>	<b>10</b>	<b>26</b>	<b>11</b>	<b>14</b>	<b>9</b>	<b>100</b>	<b>41.2</b>	<b>19</b>	M12	208-24	FC 208			2.18	4.80	
208-25														208-25				2.15	4.73	
UCFC 209	45 mm																			
209-26	1-5/8	6-5/16	5-13/64	3-43/64	15/32	1-1/32	25/64	5/8	25/64	4.1339	1.622	0.7480	1/2	UC 209				2.68	5.90	
209-27	1-11/16	<b>160</b>	<b>132</b>	<b>93.3</b>	<b>12</b>	<b>26</b>	<b>10</b>	<b>16</b>	<b>10</b>	<b>105</b>	<b>41.2</b>	<b>19</b>	M14	209-26	FC 209			2.78	6.12	
209-28	1-3/4													209-27				2.74	6.03	
209-28														209-28				2.70	5.94	

# Round Flange Cartridge Unit

## Normal Duty



### UCFC Set Screw Locking

Unit No.	Shaft Dia. (inch / mm)	Dimensions (inch / mm)											Bolt Size (inch / mm)	Bearing No.	Housing No.	Weight	
		d	L	P	J	j	A	A1	N	K	f	E				S	kg
UCFC 210	50 mm													UC 210 210-30 210-31 210-32	FC 210	2.90	6.38
210-30	1-7/8	6-1/2	5-7/16	3-27/32	15/32	1-7/64	25/64	5/8	9/16	4.3307	1.667	0.7480	1/2			2.97	6.53
210-31	1-15/16	<b>165</b>	<b>138</b>	<b>97.6</b>	<b>12</b>	<b>28</b>	<b>10</b>	<b>16</b>	14	<b>110</b>	<b>42.6</b>	<b>19</b>	M14			2.92	6.42
210-32	2															2.88	6.34
UCFC 211	55 mm													UC 211 211-32 211-34 211-35	FC 211	4.01	8.82
211-32	2	7-9/32	5-29/32	4-3/16	15/32	1-3/16	1/2	3/4	19/32	4.9213	1.827	0.8740	5/8			4.16	9.15
211-34	2-1/8	<b>185</b>	<b>150</b>	<b>106.1</b>	<b>12</b>	<b>30</b>	<b>13</b>	<b>19</b>	15	<b>125</b>	<b>46.4</b>	<b>22.2</b>	M16			4.05	8.91
211-35	2-3/16															3.99	8.78
UCFC 212	60 mm													UC 212 212-36 212-38 212-39	FC 212	4.94	10.87
212-36	2-1/4	7-11/16	6-19/64	4-29/64	15/32	1-13/32	43/64	3/4	19/32	5.3150	2.322	1.000	5/8			5.07	11.15
212-38	2-3/8	<b>195</b>	<b>160</b>	<b>113.1</b>	<b>12</b>	<b>36</b>	<b>17</b>	<b>19</b>	15	<b>135</b>	<b>56.7</b>	<b>25.4</b>	M16			4.92	10.82
212-39	2-7/16															4.85	10.67
UCFC 213	65 mm													UC 213 213-40	FC 213	5.65	1243
213-40	2-1/2	<b>205</b>	<b>170</b>	<b>120.2</b>	<b>14</b>	<b>36</b>	<b>16</b>	<b>19</b>	15	<b>139.9</b>	<b>55.7</b>	<b>25.4</b>	M16			5.74	12.63
UCFC 214	70 mm													UC 214 214-43 214-44	FC 214	6.95	15.29
214-43	2-11/16	8-15/32	6-31/32	4-59/64	35/64	1-37/64	21/32	3/4	23/32	5.9055	2.417	1.1889	5/8			7.16	15.75
214-44	2-3/4	<b>215</b>	<b>177</b>	<b>125.1</b>	<b>14</b>	<b>40</b>	<b>17</b>	<b>19</b>	<b>18</b>	<b>150</b>	<b>61.4</b>	<b>30.2</b>	M16			6.96	15.31
UCFC 215	75 mm													UC 215 215-47 215-48	FC 215	7.56	16.63
215-47	2-15/16	8-21/32	7-1/4	5-1/8	5/8	1-37/64	23/32	3/4	23/32	6.2992	2.461	1.3110	5/8			7.59	16.70
215-48	3	<b>220</b>	<b>184</b>	<b>130.1</b>	<b>16</b>	<b>40</b>	<b>18</b>	<b>19</b>	<b>18</b>	<b>160</b>	<b>62.5</b>	<b>33.3</b>	M16			7.47	16.43
UCFC 216	80 mm													UC 216 216-50	FC 216	9.15	20.13
216-50	3-1/8	<b>240</b>	<b>200</b>	<b>141.4</b>	<b>16</b>	<b>42</b>	<b>18</b>	<b>23</b>	<b>18</b>	<b>170</b>	<b>67.3</b>	<b>33.3</b>	M20			9.20	20.24
UCFC 217	85 mm													UC 217 217-52 217-55	FC 217	10.81	23.78
217-52	3-1/4	9-27/32	8-3/16	5-51/64	23/32	1-25/32	23/32	29/32	25/32	7.0866	2.740	1.3425	3/4			11.03	24.27
217-55	3-7/16	<b>250</b>	<b>208</b>	<b>147.1</b>	<b>18</b>	<b>45</b>	<b>18</b>	<b>23</b>	<b>20</b>	<b>180</b>	<b>69.6</b>	<b>34.1</b>	M20			10.60	23.32
UCFC 218	90 mm													UC 218 218-56	FC 218	12.96	28.51
218-56	3-1/2	<b>265</b>	<b>220</b>	<b>155.5</b>	<b>18</b>	<b>50</b>	<b>22</b>	<b>23</b>	<b>20</b>	<b>190</b>	<b>78.3</b>	<b>39.7</b>	M20			13.17	28.97