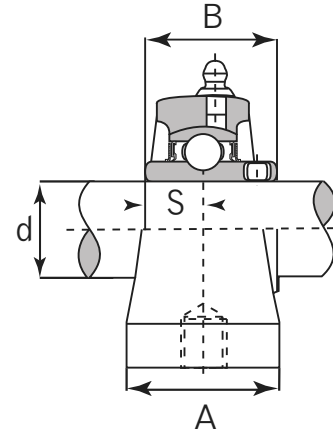
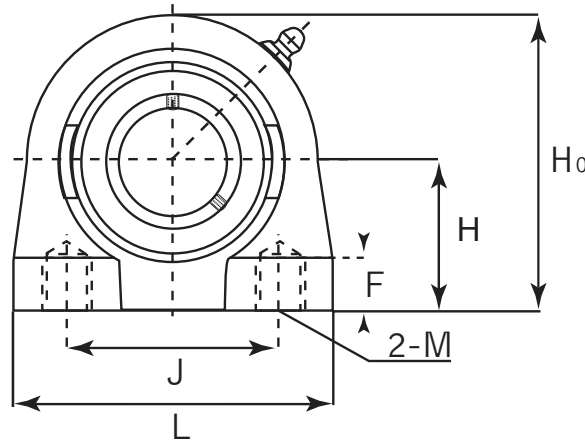


# Pillow Block

## Normal Duty



## UCTB Taped Base

Unit No.	Shaft Dia. (inch / mm)	Dimensions (inch / mm)									Bolt Size	Bearing No.	Housing No.	Weight	
		d	H	H0	L	J	A	B	S	F				M	kg
UCTB 204 204-12	20 mm 3/4	1-5/16 <b>33.3</b>	2-33/64 <b>64</b>	2-9/16 <b>65</b>	2 <b>50.8</b>	1-17/64 <b>32</b>	1.2204 <b>31</b>	0.500 <b>12.7</b>	37/64 <b>14.5</b>	3/8-16 UNC	UC 204 204-12	TB 204	0.46 0.46	1.01 1.01	
UCTB 205 205-14 205-15 205-16	25 mm 7/8 15/16 1	1-7/16 <b>36.5</b>	2-3/4 <b>70</b>	2-3/4 <b>70</b>	2 <b>50.8</b>	1-27/64 <b>36</b>	1.3425 <b>34.1</b>	0.5629 <b>14.3</b>	33/64 <b>13</b>	3/8-16 UNC	UC 205 205-14 205-15 205-16	TB 205	0.67 0.70 0.68 0.67	1.47 1.54 1.50 1.47	
UCTB 206 206-18 206-19 206-20	30 mm 1-1/8 1-3/16 1-1/4	1-11/16 <b>42.9</b>	3-15/64 <b>82</b>	3-55/64 <b>98</b>	3 <b>76.2</b>	1-37/64 <b>40</b>	1.5 <b>38.1</b>	0.6259 <b>15.9</b>	5/8 <b>16</b>	7/16-14 UNC	UC 206 206-18 206-19 206-20	TB 206	1.12 1.14 1.12 1.11	2.46 2.51 2.46 2.44	
UCTB 207 207-20 207-21 207-22 207-23	35 mm 1-1/4 1-5/16 1-3/8 1-7/16	1-7/8 <b>47.6</b>	3-21/32 <b>93</b>	4-1/16 <b>103</b>	3-1/4 <b>82.6</b>	1-49/64 <b>45</b>	1.6889 <b>42.9</b>	0.6889 <b>17.5</b>	3/4 <b>19</b>	1/2-13 UNC	UC 207 207-20 207-21 207-22 207-23	TB 207	1.38 1.44 1.41 1.38 1.35	3.04 3.17 3.10 3.04 2.97	
UCTB 208 208-24 208-25	40 mm 1-1/2 1-9/16	1-15/16 <b>49.2</b>	3-57/64 <b>99</b>	4-9/16 <b>116</b>	3-1/2 <b>88.9</b>	1-57/64 <b>48</b>	1.6889 <b>49.2</b>	0.7480 <b>19</b>	3/4 <b>19</b>	1/2-13 UNC	UC 208 208-24 208-25	TB 208	1.86 1.90 1.87	4.09 4.18 4.11	
UCTB 209 209-26 209-27 209-28	45 mm 1-5/8 1-11/16 1-3/4	2-1/8 <b>53.9</b>	4-7/32 <b>107</b>	4-23/32 <b>120</b>	3-3/4 <b>95.3</b>	1-57/64 <b>48</b>	1.6889 <b>49.2</b>	0.7480 <b>19</b>	3/4 <b>19</b>	1/2-13 UNC	UC 209 209-26 209-27 209-28	TB 209	1.92 2.02 1.98 1.94	4.22 4.44 4.36 4.27	
UCTB 210 210-30 210-31 210-32	50 mm 1-7/8 1-15/16 2	2-1/4 <b>57.2</b>	4-17/32 <b>115</b>	5-5/16 <b>135</b>	4 <b>101.6</b>	2-1/8 <b>54</b>	2.0314 <b>51.6</b>	0.7480 <b>19</b>	55/64 <b>22</b>	5/8-11 UNC	UC 210 210-30 210-31 210-32	TB 210	2.24 2.31 2.26 2.22	4.93 5.08 4.97 4.88	