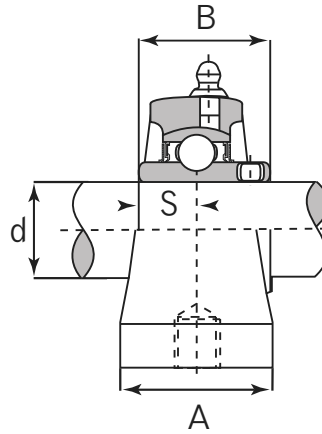
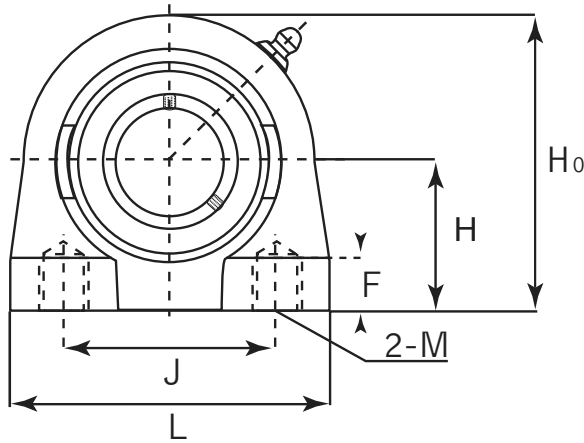




# Pillow Block

Normal Duty



## UCPA Taped Base

Unit No.	Shaft Dia. (inch / mm)	Dimensions (inch / mm)								Bolt Size	Bearing No.	Housing No.	Weight	
		d	H	H0	L	J	A	B	S				F	M
UCPA 204 204-12	20 mm 3/4	1-3/16 <b>30.2</b>	2-7/16 <b>62</b>	3 <b>76</b>	2-3/64 <b>52</b>	1-9/16 <b>40</b>	1.2204 <b>31</b>	0.500 <b>12.7</b>	7/16 <b>11</b>	M 10 x 1.5	UC 204 204-12	PA 204	0.56 0.56	1.25 1.25
UCPA 205 205-14 205-15 205-16	25 mm 7/8 15/16 1	1-7/16 <b>36.5</b>	2-53/64 <b>72</b>	3-5/16 <b>84</b>	2-13/64 <b>56</b>	1-1/2 <b>38</b>	1.3425 <b>34.1</b>	0.5629 <b>14.3</b>	15/32 <b>12</b>	M 10 x 1.5	UC 205 205-14 205-15 205-16	PA 205	0.83 0.86 0.84 0.83	1.83 1.89 1.85 1.83
UCPA 206 206-18 206-19 206-20	30 mm 1-1/8 1-3/16 1-1/4	1-11/16 <b>42.9</b>	3-5/16 <b>84</b>	3-45/64 <b>94</b>	2-19/32 <b>66</b>	1-31/32 <b>50</b>	1.5 <b>38.1</b>	0.6259 <b>15.9</b>	15/32 <b>12</b>	M 14 x 2	UC 206 206-18 206-19 206-20	PA 206	1.12 1.14 1.12 1.11	2.46 2.51 2.46 2.44
UCPA 207 207-20 207-21 207-22 207-23	35 mm 1-1/4 1-5/16 1-3/8 1-7/16	1-7/8 <b>47.6</b>	3-47/64 <b>95</b>	4-21/64 <b>110</b>	3-5/32 <b>80</b>	2-11/64 <b>55</b>	1.6889 <b>42.9</b>	0.6889 <b>17.5</b>	33/64 <b>13</b>	M 14 x 2	UC 207 207-20 207-21 207-22 207-23	PA 207	1.48 1.48 1.54 1.48 1.45	3.26 3.26 3.39 3.26 3.19
UCPA 208 208-24 208-25	40 mm 1-1/2 1-9/16	1-15/16 <b>42.9</b>	3-15/16 <b>100</b>	4-9/16 <b>116</b>	3-5/16 <b>84</b>	2-9/32 <b>58</b>	1.9370 <b>49.2</b>	0.7480 <b>19</b>	33/64 <b>13</b>	M 14 x 2	UC 208 208-24 208-25	PA 208	1.89 1.93 1.90	4.16 4.25 4.18
UCPA 209 209-26 209-27 209-28	45 mm 1-5/8 1-11/16 1-3/4	2-9/64 <b>54.2</b>	4-1/4 <b>108</b>	4-23/32 <b>120</b>	3-35/64 <b>90</b>	2-23/64 <b>60</b>	1.9370 <b>49.2</b>	0.7480 <b>19</b>	33/64 <b>13</b>	M 14 x 2	UC 209 209-26 209-27 209-28	PA 209	1.98 2.08 2.04 2.00	4.36 4.58 4.49 4.40
UCPA 210 210-30 210-31 210-32	50 mm 1-7/8 1-15/16 2	2-1/4 <b>57.2</b>	4-9/16 <b>116</b>	5-1/8 <b>130</b>	3-45/64 <b>94</b>	2-33/64 <b>64</b>	2.0314 <b>51.6</b>	0.7480 <b>19</b>	35/64 <b>14</b>	M 16 x 2	UC 210 210-30 210-31 210-32	PA 210	2.16 2.23 2.16 2.14	4.75 4.91 4.75 4.71
UCPA 211 211-32 211-34 211-35	55 mm 2 2-1/8 2-3/16	2-1/2 <b>63.5</b>	4-59/64 <b>125</b>	5-33/64 <b>140</b>	4-3/32 <b>104</b>	2-19/32 <b>66</b>	2.1889 <b>55.6</b>	0.8740 <b>22.2</b>	35/64 <b>14</b>	M 16 x 2	UC 211 211-32 211-34 211-35	PA 211	3.26 3.41 3.30 3.24	7.17 7.50 7.26 7.13
UCPA 212 212-36 212-38 212-39	60 mm 2-1/4 2-3/8 2-7/16	2-3/4 <b>69.9</b>	5-7/16 <b>138</b>	5-29/32 <b>150</b>	4-31/64 <b>114</b>	2-43/64 <b>68</b>	2.5629 <b>65.1</b>	1.000 <b>25.4</b>	19/32 <b>15</b>	M 16 x 2	UC 212 212-36 212-38 212-39	PA 212	4.19 4.32 4.17 4.10	9.22 9.50 9.17 9.02