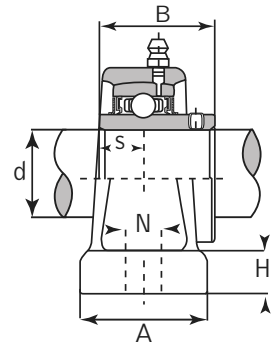
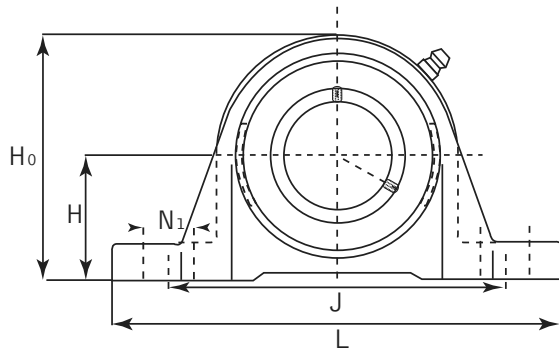




# Pillow Block

## Normal Duty



## UCPE Set Screw Locking

Unit No.	Shaft Dia. (inch / mm)	Dimensions (inch / mm)										Bolt Size	Bearing No.	Housing No.	Weight	
		d	H	H0	H1	L	J	A	N	N1	S				B	kg
UCPE 201-8 202 202-9 202-10 203 203-11 204 204-12	1/2 15 mm 9/16 5/8 17 mm 11/16 20 mm 3/4	1-5/16 <b>33.3</b>	2-9/16 <b>65</b>	19/32 <b>15</b>	5 <b>127</b>	3-3/4 <b>95</b>	1-1/2 <b>38</b>	1/2 <b>13</b>	5/8 <b>16</b>	0.500 <b>12.7</b>	1.2205 <b>31</b>	3/8 M10	UC 201-8 202 202-9 202-10 203 203-11 204 204-12	PE 204	0.8	1.76
UCPE 205 205-14 205-15 205-16	25 mm 7/8 15/16 1	1-7/16 <b>36.5</b>	2-3/4 <b>70</b>	5/8 <b>16</b>	5-1/2 <b>140</b>	4-1/8 <b>105</b>	1-1/2 <b>38</b>	1/2 <b>13</b>	5/8 <b>16</b>	0.5629 <b>14.3</b>	1.339 <b>34</b>	3/8 M10	UC 205 205-14 205-15 205-16	PE 205	1	2.2
UCPE 206 206-17 206-18 206-19 206-20	30 mm 1-1/16 1-1/8 1-3/16 1-1/4	1-11/16 <b>42.9</b>	3-9/32 <b>83</b>	23/32 <b>18</b>	6-1/2 <b>165</b>	4-49/64 <b>121</b>	1-7/8 <b>48</b>	21/32 <b>17</b>	13/16 <b>21</b>	0.6259 <b>15.9</b>	1.5 <b>38.1</b>	1/2 M14	UC 206 206-17 206-18 206-19 206-20	PE 206	1.6	3.5
UCPE 207 207-20 207-21 207-22 207-23	35 mm 1-1/4 1-5/16 1-3/8 1-7/16	1-7/8 <b>47.6</b>	3-11/16 <b>94</b>	3/4 <b>19</b>	6-9/16 <b>167</b>	5 <b>127</b>	1-7/8 <b>48</b>	21/32 <b>17</b>	13/16 <b>21</b>	0.6889 <b>17.5</b>	1.689 <b>42.9</b>	1/2 M14	UC 207 207-20 207-21 207-22 207-23	PE 207	2.1	4.6
UCPE 208 208-24 208-25	40 mm 1-1/2 1-9/16	1-15/16 <b>49.2</b>	3-15/16 <b>100</b>	3/4 <b>19</b>	7-1/4 <b>184</b>	5-25/64 <b>137</b>	2-1/8 <b>54</b>	21/32 <b>17</b>	31/32 <b>25</b>	0.7480 <b>19</b>	1.937 <b>49.2</b>	1/2 M14	UC 208 208-24 208-25	PE 208	2.6	5.7
UCPE 209 209-26 209-27 209-28	45 mm 1-5/8 1-11/16 1-3/4	2-1/8 <b>54</b>	4-1/4 <b>108</b>	25/32 <b>20</b>	7-15/32 <b>190</b>	5-3/4 <b>146</b>	2-1/8 <b>54</b>	21/32 <b>17</b>	31/32 <b>25</b>	0.7480 <b>19</b>	1.937 <b>49.2</b>	1/2 M14	UC 209 209-26 209-27 209-28	PE 209	3	6.6
UCPE 210 210-30 210-31 210-32	50 mm 1-7/8 1-15/16 2	2-1/4 <b>57.2</b>	4-1/2 <b>114</b>	7/8 <b>22</b>	8-1/8 <b>206</b>	6-1/4 <b>159</b>	2-3/8 <b>60</b>	25/32 <b>20</b>	31/32 <b>23</b>	0.7480 <b>19</b>	2.0315 <b>51.6</b>	5/8 M16	UC 210 210-30 210-31 210-32	PE 210	3.6	7.9
UCPE 211 211-32 211-34 211-35	55 mm 2 2-1/8 2-3/16	2-1/2 <b>63.5</b>	4-31/32 <b>126</b>	7/8 <b>22</b>	8-5/8 <b>219</b>	6-23/32 <b>171</b>	2-3/8 <b>60</b>	25/32 <b>20</b>	31/32 <b>23</b>	0.8740 <b>22.2</b>	2.1890 <b>55.6</b>	5/8 M16	UC 211 211-32 211-34 211-35	PE 211	4.4	9.7
UCPE 212 212-36 212-38 212-39	60 mm 2-1/4 2-3/8 2-7/16	2-3/4 <b>69.8</b>	5-7/16 <b>138</b>	31/32 <b>25</b>	9-1/2 <b>241</b>	7-1/4 <b>184</b>	2-3/4 <b>70</b>	25/32 <b>20</b>	31/32 <b>25</b>	1.000 <b>25.4</b>	2.5630 <b>65.1</b>	5/8 M16	UC 212 212-36 212-38 212-39	PE 212	6.2	13.6
UCPE 213 213-40	65 mm 2-1/2	3 <b>76.2</b>	5-29/32 <b>150</b>	1-1/16 <b>27</b>	10-7/16 <b>265</b>	8 <b>203</b>	2-3/4 <b>70</b>	31/32 <b>25</b>	1-3/16 <b>29</b>	1.000 <b>25.4</b>	2.5630 <b>65.1</b>	3/4 M20	UC 213 213-40	PE 213	7	15.4
UCPE 214 214-43 214-44	70 mm 2-11/16 2-3/4	3-1/8 <b>79.4</b>	6-3/16 <b>156</b>	1-1/16 <b>27</b>	10-15/32 <b>266</b>	8-9/32 <b>210</b>	2-27/32 <b>72</b>	31/32 <b>25</b>	1-1/4 <b>31</b>	1.1889 <b>30.2</b>	2.9370 <b>74.6</b>	3/4 M20	UC 214 214-43 214-44	PE 214	7.6	16.7
UCPE 215 215-47 215-48	75 mm 2-15/16 3	3-1/4 <b>82.6</b>	6-13/32 <b>162</b>	1-3/32 <b>28</b>	10-13/16 <b>275</b>	8-17/32 <b>217</b>	2-29/32 <b>74</b>	31/32 <b>25</b>	1-1/4 <b>31</b>	1.3110 <b>33.3</b>	3.0630 <b>77.8</b>	3/4 M20	UC 215 215-47 215-48	PE 215	8.5	18.7