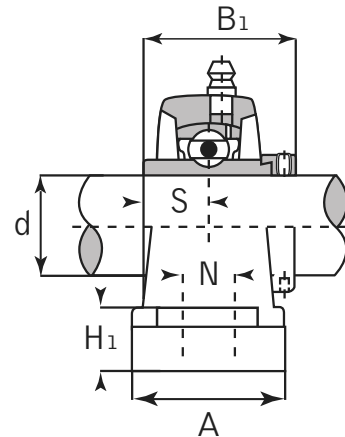
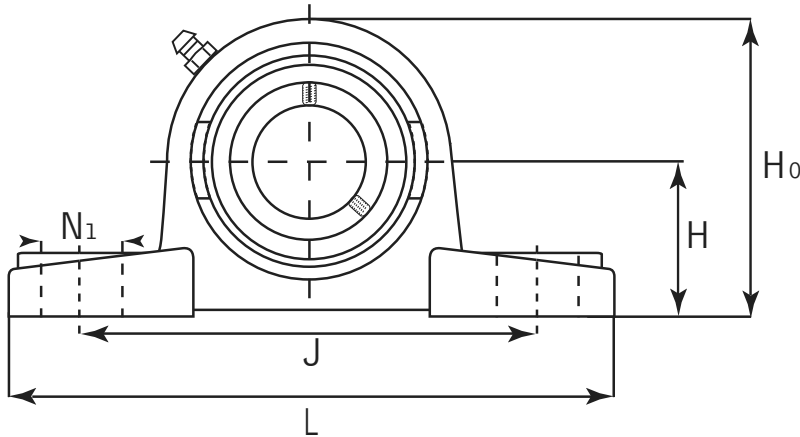




# Pillow Block

Normal Duty

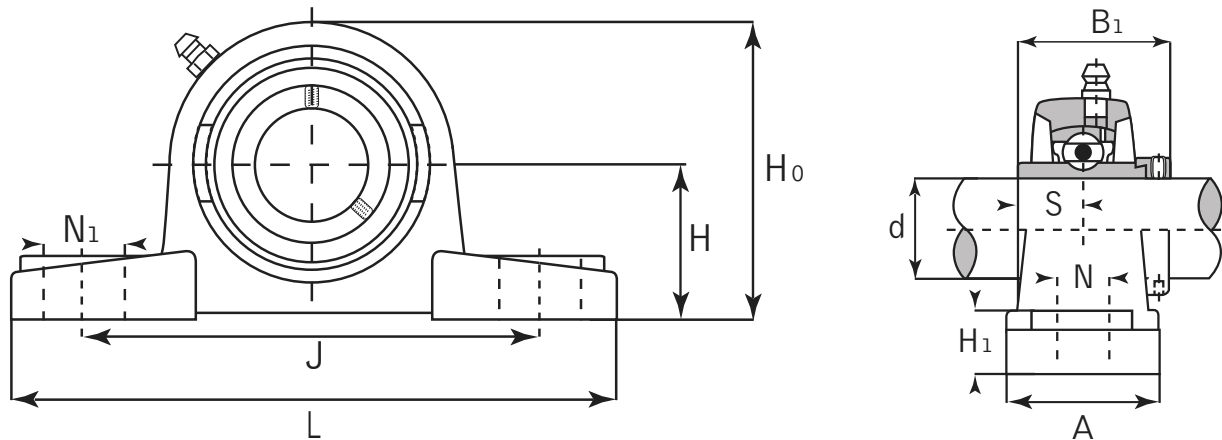


## HCP Eccentric Locking Collar

| Unit No.  | Shaft Dia.<br>(inch / mm) | Dimensions (inch / mm) |            |           |            |            |           |           |           |             |             | Bolt Size | Bearing No. | Housing No. | Weight |    |      |      |
|-----------|---------------------------|------------------------|------------|-----------|------------|------------|-----------|-----------|-----------|-------------|-------------|-----------|-------------|-------------|--------|----|------|------|
|           |                           | d                      | H          | H0        | H1         | L          | J         | A         | N         | N1          | S           |           |             |             | B1     | kg | lbs  |      |
| HCP 201-8 | 1/2                       |                        |            |           |            |            |           |           |           |             |             |           |             |             |        |    | 0.46 | 1.01 |
| 202       | 15 mm                     |                        |            |           |            |            |           |           |           |             |             |           |             |             |        |    | 0.46 | 1.01 |
| 202-9     | 9/16                      |                        |            |           |            |            |           |           |           |             |             |           |             |             |        |    | 0.46 | 1.01 |
| 202-10    | 5/8                       | 1-5/16                 | 2-9/16     | 9/16      | 5          | 3-3/4      | 1-1/2     | 1/2       | 5/8       | 0.6732      | 1.720       |           |             |             |        |    | 0.47 | 1.03 |
| 203       | 17 mm                     | <b>33.3</b>            | <b>65</b>  | <b>14</b> | <b>127</b> | <b>95</b>  | <b>38</b> | <b>13</b> | <b>16</b> | <b>17.1</b> | <b>43.7</b> |           |             |             |        |    | 0.48 | 1.06 |
| 203-11    | 11/16                     |                        |            |           |            |            |           |           |           |             |             |           |             |             |        |    | 0.49 | 1.08 |
| 204       | 20 mm                     |                        |            |           |            |            |           |           |           |             |             |           |             |             |        |    | 0.73 | 1.61 |
| 204-12    | 3/4                       |                        |            |           |            |            |           |           |           |             |             |           |             |             |        |    | 0.73 | 1.61 |
| HCP 205   | 25 mm                     |                        |            |           |            |            |           |           |           |             |             |           |             |             |        |    | 0.83 | 1.83 |
| 205-14    | 7/8                       | 1-7/16                 | 2-25/32    | 19/32     | 5-1/2      | 4-1/8      | 1-1/2     | 33/64     | 3/4       | 0.6889      | 1.748       |           |             |             |        |    | 0.92 | 2.02 |
| 205-15    | 15/16                     | <b>36.5</b>            | <b>71</b>  | <b>15</b> | <b>140</b> | <b>105</b> | <b>38</b> | <b>13</b> | <b>19</b> | <b>17.5</b> | <b>44.4</b> |           |             |             |        |    | 0.90 | 1.98 |
| 205-16    | 1                         |                        |            |           |            |            |           |           |           |             |             |           |             |             |        |    | 0.88 | 1.94 |
| HCP 206   | 30 mm                     |                        |            |           |            |            |           |           |           |             |             |           |             |             |        |    | 1.37 | 3.01 |
| 206-17    | 1-1/16                    | 1-11/16                | 3-5/16     | 5/8       | 6-5/16     | 4-3/4      | 1-3/4     | 9/16      | 3/4       | 0.7204      | 1.906       |           |             |             |        |    | 1.37 | 3.01 |
| 206-18    | 1-1/8                     | <b>42.9</b>            | <b>83</b>  | <b>16</b> | <b>160</b> | <b>121</b> | <b>44</b> | <b>14</b> | <b>19</b> | <b>18.3</b> | <b>48.4</b> |           |             |             |        |    | 1.39 | 3.06 |
| 206-19    | 1-3/16                    |                        |            |           |            |            |           |           |           |             |             |           |             |             |        |    | 1.37 | 3.01 |
| 206-20    | 1-1/4                     |                        |            |           |            |            |           |           |           |             |             |           |             |             |        |    | 1.34 | 2.95 |
| HCP 207   | 35 mm                     |                        |            |           |            |            |           |           |           |             |             |           |             |             |        |    | 1.70 | 3.74 |
| 207-20    | 1-1/4                     | 1-7/8                  | 3-21/32    | 23/32     | 6-9/16     | 5          | 1-7/8     | 21/32     | 25/32     | 0.7401      | 2.012       |           |             |             |        |    | 1.77 | 3.89 |
| 207-21    | 1-5/16                    | <b>47.6</b>            | <b>93</b>  | <b>18</b> | <b>167</b> | <b>127</b> | <b>48</b> | <b>17</b> | <b>20</b> | <b>18.8</b> | <b>51.1</b> |           |             |             |        |    | 1.73 | 3.81 |
| 207-22    | 1-3/8                     |                        |            |           |            |            |           |           |           |             |             |           |             |             |        |    | 1.70 | 3.74 |
| 207-23    | 1-7/16                    |                        |            |           |            |            |           |           |           |             |             |           |             |             |        |    | 1.67 | 3.67 |
| HCP 208   | 40 mm                     |                        |            |           |            |            |           |           |           |             |             |           |             |             |        |    | 2.04 | 4.49 |
| 208-24    | 1-1/2                     | 1-15/16                | 3-15/16    | 23/32     | 7-1/4      | 5-13/32    | 2-1/8     | 21/32     | 25/32     | 0.8425      | 2.217       |           |             |             |        |    | 2.09 | 4.60 |
| 208-25    | 1-9/16                    | <b>49.2</b>            | <b>100</b> | <b>18</b> | <b>184</b> | <b>137</b> | <b>54</b> | <b>17</b> | <b>20</b> | <b>21.4</b> | <b>56.3</b> |           |             |             |        |    | 2.05 | 4.51 |

# Pillow Block

## Normal Duty



## HCP Eccentric Locking Collar

| Unit No. | Shaft Dia.<br>(inch / mm) | Dimensions (inch / mm) |            |           |            |            |           |           |           |             |             | Bolt Size | Bearing No. | Housing No. | Weight |       |     |  |  |
|----------|---------------------------|------------------------|------------|-----------|------------|------------|-----------|-----------|-----------|-------------|-------------|-----------|-------------|-------------|--------|-------|-----|--|--|
|          |                           | d                      | H          | H0        | H1         | L          | J         | A         | N         | N1          | S           |           |             |             | B1     | kg    | lbs |  |  |
| HCP 209  | 45 mm                     |                        |            |           |            |            |           |           |           |             |             |           |             |             |        |       |     |  |  |
| 209-26   | 1-5/8                     | 2-1/8                  | 4-3/16     | 25/32     | 7-15/32    | 5 3/4      | 2-1/8     | 21/32     | 25/32     | 0.8425      | 2.217       | 1/2       | HC 209      | P 209       | 2.31   | 5.08  |     |  |  |
| 209-27   | 1-11/16                   | <b>54</b>              | <b>106</b> | <b>20</b> | <b>190</b> | <b>146</b> | <b>54</b> | <b>17</b> | <b>20</b> | <b>21.4</b> | <b>56.3</b> | M14       | 209-26      |             | 2.42   | 5.32  |     |  |  |
| 209-28   | 1-3/4                     |                        |            |           |            |            |           |           |           |             |             |           | 209-27      |             | 2.37   | 5.21  |     |  |  |
|          |                           |                        |            |           |            |            |           |           |           |             |             |           | 209-28      |             | 2.33   | 5.13  |     |  |  |
| HCP 210  | 50 mm                     |                        |            |           |            |            |           |           |           |             |             |           |             |             |        |       |     |  |  |
| 210-30   | 1-7/8                     | 2-1/4                  | 4-29/64    | 53/64     | 8-1/8      | 6-1/4      | 2-3/8     | 25/32     | 29/32     | 0.9685      | 2.469       | 5/8       | HC 210      | P 210       | 2.85   | 6.27  |     |  |  |
| 210-31   | 1-15/16                   | <b>57.2</b>            | <b>113</b> | <b>21</b> | <b>206</b> | <b>159</b> | <b>60</b> | <b>20</b> | <b>23</b> | <b>24.6</b> | <b>62.7</b> | M16       | 210-30      |             | 2.94   | 6.47  |     |  |  |
|          |                           |                        |            |           |            |            |           |           |           |             |             |           | 210-31      |             | 2.88   | 6.34  |     |  |  |
| HCP 211  | 55 mm                     |                        |            |           |            |            |           |           |           |             |             |           |             |             |        |       |     |  |  |
| 211-32   | 2                         | 2-1/2                  | 4-59/64    | 29/32     | 8-5/8      | 6-47/64    | 2-3/8     | 25/32     | 29/32     | 1.0944      | 2.811       | 5/8       | HC 211      | P 211       | 3.52   | 7.74  |     |  |  |
| 211-34   | 2-1/8                     | <b>63.5</b>            | <b>125</b> | <b>23</b> | <b>219</b> | <b>171</b> | <b>60</b> | <b>20</b> | <b>23</b> | <b>27.8</b> | <b>71.4</b> | M16       | 211-32      |             | 3.72   | 8.18  |     |  |  |
| 211-35   | 2-3/16                    |                        |            |           |            |            |           |           |           |             |             |           | 211-34      |             | 3.57   | 7.85  |     |  |  |
|          |                           |                        |            |           |            |            |           |           |           |             |             |           | 211-35      |             | 3.49   | 7.68  |     |  |  |
| HCP 212  | 60 mm                     |                        |            |           |            |            |           |           |           |             |             |           |             |             |        |       |     |  |  |
| 212-36   | 2-1/4                     | 2-3/4                  | 5-7/16     | 63/64     | 9-1/2      | 7-1/4      | 2-3/4     | 25/32     | 29/32     | 1.2204      | 3.063       | 5/8       | HC 212      | P 212       | 5.24   | 11.53 |     |  |  |
| 212-38   | 2-3/8                     | <b>69.8</b>            | <b>138</b> | <b>25</b> | <b>241</b> | <b>184</b> | <b>70</b> | <b>20</b> | <b>23</b> | <b>31</b>   | <b>77.8</b> | M16       | 212-36      |             | 5.40   | 11.88 |     |  |  |
| 212-39   | 2-7/16                    |                        |            |           |            |            |           |           |           |             |             |           | 212-38      |             | 5.26   | 11.57 |     |  |  |
|          |                           |                        |            |           |            |            |           |           |           |             |             |           | 212-39      |             | 5.13   | 11.29 |     |  |  |
| HCP 213  | 65 mm                     |                        |            |           |            |            |           |           |           |             |             |           |             |             |        |       |     |  |  |
| 213-40   | 2-1/2                     | 3                      | 5-29/32    | 1-1/16    | 10-7/16    | 8          | 2-3/4     | 63/64     | 1-3/32    | 1.3425      | 3.374       | 3/4       | HC 213      | P 213       | 5.71   | 12.56 |     |  |  |
|          |                           | <b>76.2</b>            | <b>150</b> | <b>27</b> | <b>265</b> | <b>203</b> | <b>70</b> | <b>25</b> | <b>28</b> | <b>34.1</b> | <b>85.7</b> | M20       | 213-40      |             | 5.81   | 12.78 |     |  |  |
| HCP 214  | 70 mm                     |                        |            |           |            |            |           |           |           |             |             |           |             |             |        |       |     |  |  |
| 214-43   | 2-11/16                   | 3-1/8                  | 6-9/64     | 1-1/16    | 10-15/32   | 8-17/64    | 2-27/32   | 63/64     | 1-3/32    | 1.3425      | 3.374       | 3/4       | HC 214      | P 214       | 6.70   | 14.74 |     |  |  |
| 214-44   | 2-3/4                     | <b>79.4</b>            | <b>156</b> | <b>27</b> | <b>266</b> | <b>210</b> | <b>72</b> | <b>25</b> | <b>28</b> | <b>34.1</b> | <b>85.7</b> | M20       | 214-43      |             | 6.94   | 15.27 |     |  |  |
|          |                           |                        |            |           |            |            |           |           |           |             |             |           | 214-44      |             | 6.83   | 15.03 |     |  |  |
| HCP 215  | 75 mm                     |                        |            |           |            |            |           |           |           |             |             |           |             |             |        |       |     |  |  |
| 215-47   | 2-15/16                   | 3-1/4                  | 6-3/8      | 1-3/32    | 10-53/64   | 8-35/64    | 2-29/32   | 63/64     | 1-3/32    | 1.4685      | 3.626       | 3/4       | HC 215      | P 215       | 7.79   | 17.14 |     |  |  |
| 215-48   | 3                         | <b>82.6</b>            | <b>162</b> | <b>28</b> | <b>275</b> | <b>217</b> | <b>74</b> | <b>25</b> | <b>28</b> | <b>37.3</b> | <b>92.1</b> | M20       | 215-47      |             | 7.96   | 17.51 |     |  |  |
|          |                           |                        |            |           |            |            |           |           |           |             |             |           | 215-48      |             | 7.83   | 17.23 |     |  |  |
| HCP 216  | 80 mm                     |                        |            |           |            |            |           |           |           |             |             |           |             |             |        |       |     |  |  |
| 216-50   | 3-1/8                     | 3-1/2                  | 6-27/32    | 1-3/16    | 11-1/2     | 9-1/8      | 3-5/64    | 63/64     | 1-3/16    | 1.4685      | 3.748       | 3/4       | HC 216      | P 216       | 8.30   | 18.26 |     |  |  |
|          |                           | <b>88.9</b>            | <b>174</b> | <b>30</b> | <b>292</b> | <b>232</b> | <b>78</b> | <b>25</b> | <b>30</b> | <b>37.3</b> | <b>95.2</b> | M20       | 216-50      |             |        |       |     |  |  |
| HCP 217  | 85 mm                     |                        |            |           |            |            |           |           |           |             |             |           |             |             |        |       |     |  |  |
| 217-52   | 3-1/4                     | 3-3/4                  | 7-5/16     | 1-1/4     | 12-13/64   | 9-23/32    | 3-17/64   | 63/64     | 1-3/16    | 0.9212      | 2.882       | 3/4       | HC 217      | P 217       | 10.17  |       |     |  |  |
|          |                           | <b>95.2</b>            | <b>186</b> | <b>32</b> | <b>310</b> | <b>247</b> | <b>83</b> | <b>25</b> | <b>30</b> | <b>23.4</b> | <b>73.2</b> | M20       | 217-52      |             |        |       |     |  |  |
| HCP 218  | 90 mm                     |                        |            |           |            |            |           |           |           |             |             |           |             |             |        |       |     |  |  |
| 218-56   | 3-1/2                     | 4                      | 7-25/32    | 1-19/64   | 12-53/64   | 10-5/16    | 3-29/64   | 1-1/16    | 1 3/16    | 0.9646      | 2.854       | 11/16     | HC 218      | P 218       | 12.28  |       |     |  |  |
|          |                           | <b>101.6</b>           | <b>198</b> | <b>33</b> | <b>326</b> | <b>262</b> | <b>88</b> | <b>27</b> | <b>30</b> | <b>24.5</b> | <b>72.5</b> | M22       | 218-56      |             |        |       |     |  |  |