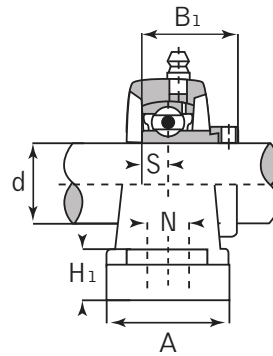
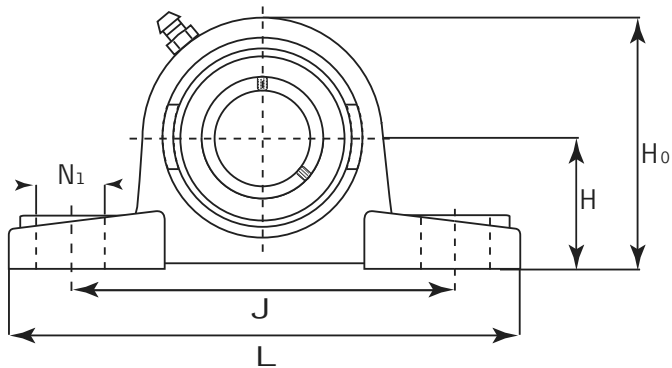


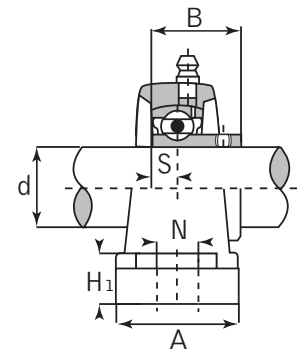


Pillow Block

Light Duty



SALP-G



SBLP-G

SALP-G Eccentric Locking Collar SBLP-G Set Screw Locking

Unit No. SALP-G SBLP-G	Shaft Dia. (inch / mm)	Dimensions (inch / mm)								SALP - G		SBLP - G		Bolt Size	Bearing No. SA-G SB-G	Housing No.	Mass	
		d	H	H0	H1	L	J	A	N	N1	S	B1	S				B	kg
201G 201-8G 202G 202-10G 203G 203-11G	12 mm 1/2 15 mm 5/8 17 mm 1 1/16	1-3/16 30.2	2-1/4 57	15/32 12	4-1/2 114	3-7/16 87	32/32 25	7/16 11	5/8 16	0.7702 6.5	1.1259 28.6	0.2362 6	0.8661 22	3/8 M10	201G 201-8G 202G 202-10G 203G 203-11G	LP 203	0.6	1.32
204G 204-12G	20 mm 3/4	1-5/16 33.3	2-1/2 63.8	9/16 14	4-29/32 125	3-13/16 97	1-1/16 27	29/64 11.5	5/8 16	0.2952 7.5	1.2165 30.9	0.2755 7	0.9842 25	3/8 M10	204G 204-12G	LP 204	0.7	1.43
205G 205-14G 205-15G 205-16G	25 mm 7/8 15/16 1	1-7/16 36.5	2-47/64 69.5	19/32 15	5-1/8 130	3-15/16 100	1-5/32 29	29/64 11.5	5/8 16	0.2952 7.5	1.2165 30.9	0.2952 7.5	1.0629 27	3/8 M10	205G 205-14G 205-15G 205-16G	LP 205	0.7	1.43
206G 206-18G 206-19G 206-20G	30 mm 1-1/8 1-3/16 1-1/4	1-11/16 42.9	3-5/16 84	5/8 16	6-9/64 156	4-3/4 121	1-19/64 33	35/64 14	13/16 21	0.3543 9	1.4055 35.7	0.3149 8	1.1811 30	1/2 M14	206G 206-18G 206-19G 206-20G	LP 206	1.2	2.5
207G 207-20G 207-21G 207-22G 207-23G	35 mm 1-1/4 1-5/16 1-3/8 1-7/16	1-7/8 47.6	3-21/32 93	5/8 16	6-1/2 165	5 127	1-3/8 35	35/64 14	13/16 21	0.3740 9.5	1.5314 38.9	0.3346 8.5	1.2598 32	1/2 M14	207G 207-20G 207-21G 207-22G 207-23G	LP 207	1.6	3.5
208G 208-24G 208-25G	40 mm 1-1/2 1-9/16	2 50.8	4-1/64 102	45/64 18	7-1/4 184	5-1/2 140	1-29/64 37	35/64 14	7/8 22	0.3740 9.5	1.5944 40.5	0.3543 9	1.3385 34	1/2 M14	208G 208-24G 208-25G	LP 208	1.9	4.2