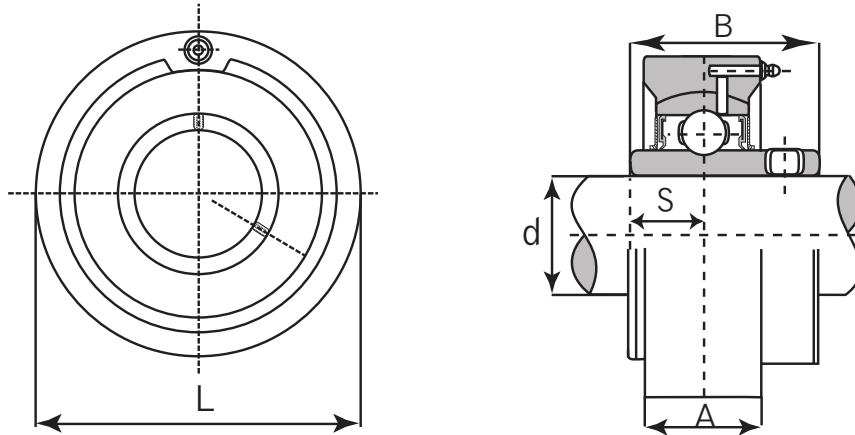




# Cylindrical Cartridge Unit

Normal Duty



## UCC Set Screw Locking

Unit No.	Shaft Dia. (inch / mm)	Dimensions (inch / mm)				Bearing No.	Housing No.	Weight	
		d	L	A	S			B	kg
UCC 201 201-8 202 202-10 203 203-11	12 mm 1/2 15 mm 5/8 17 mm 1 1/16	2.8346 <b>72</b>	25/32 <b>20</b>	0.500 <b>12.7</b>	1.2205 <b>31.0</b>	UC 201 201-8 202 202-10 203 203-11	C 204	0.52 0.51 0.51 0.51 0.50 0.49	1.14 1.12 1.12 1.12 1.10 1.08
UCC 204 204-12	20 mm 3/4	2.8346 <b>72</b>	25/32 <b>20</b>	0.500 <b>12.7</b>	1.2205 <b>31.0</b>	UC 204 204-12	C 204	0.48 0.48	1.06 1.06
UCC 205 205-14 205-15 205-16	25 mm 7/8 15/16 1	3.1496 <b>80</b>	55/64 <b>22</b>	0.5629 <b>14.3</b>	1.3425 <b>34.1</b>	UC 205 205-14 205-15 205-16	C 205	0.63 0.66 0.64 0.63	1.39 1.45 1.41 1.39
UCC 206 206-17 206-18 206-19 206-20	30 mm 1-1/16 1-1/8 1-3/16 1-1/4	3.3465 <b>85</b>	1-1/16 <b>27</b>	0.6259 <b>15.9</b>	1.500 <b>38.1</b>	UC 206 206-17 206-18 206-19 206-20	C 206	0.80 0.83 0.82 0.80 0.79	1.76 1.83 1.80 1.76 1.74
UCC 207 207-20 207-21 207-22 207-23	35 mm 1-1/4 1-5/16 1-3/8 1-7/16	3.5433 <b>90</b>	1-7/64 <b>28</b>	0.6889 <b>17.5</b>	1.6890 <b>42.9</b>	UC 207 207-20 207-21 207-22 207-23	C 207	0.93 0.99 0.96 0.93 0.90	2.05 2.18 2.11 2.05 1.98
UCC 208 208-24 208-25	40 mm 1-1/2 1-9/16	3.9370 <b>100</b>	1-3/16 <b>30</b>	0.7480 <b>19</b>	1.9370 <b>49.2</b>	UC 208 208-24 208-25	C 208	1.22 1.26 1.23	2.68 2.77 2.71