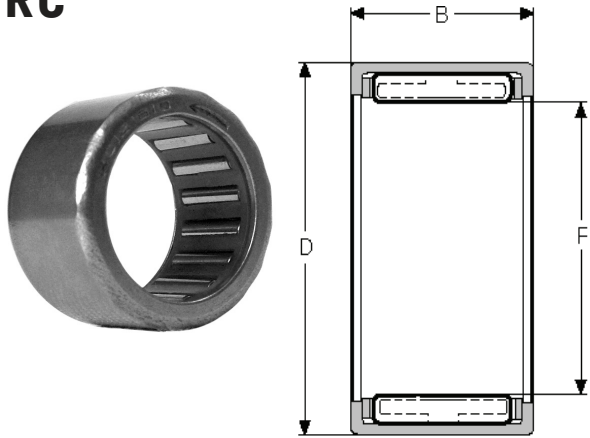


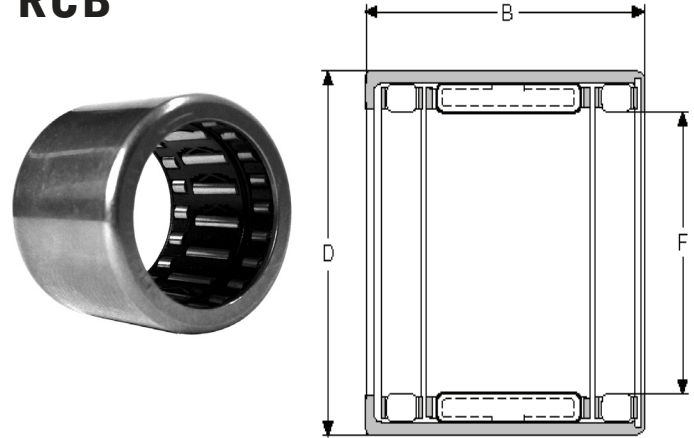


Drawn Cup Clutch Bearings

RC



RCB



RC

| Unit No. | | Shaft Diameter | Bore (inch) | Outer Diameter (inch) | Width (inch) | Torque Rating (in-lbf) | Minimum O.D. of Steel Housing for rated torque | Overrun Limiting Speed for Rotating Shaft | Suitable Drawn Cup Bearing | Weight |
|------------------|-----------------|----------------|-------------|-----------------------|--------------|------------------------|--|---|----------------------------|--------|
| Stainless Spring | Integral Spring | | F | D | B | | | | | |
| - | RC 02 | 1/8 | 0.125 | 0.281 | 0.250 | 2.86 | 0.44 | 34,000 | - | 0.002 |
| - | RC 040708 | 1/4 | 0.250 | 0.438 | 0.500 | 17.9 | 0.62 | 20,000 | J 45 | 0.008 |
| RC 061008 FS | RC 061008 | 3/8 | 0.375 | 0.625 | 0.500 | 48 | 0.88 | 18,000 | JH 68 | 0.017 |
| RC 081208 FS | RC 081208 | 1/2 | 0.500 | 0.750 | 0.500 | 78 | 1.10 | 17,000 | JH 87 | 0.020 |
| RC 101410 FS | RC 101410 | 5/8 | 0.625 | 0.875 | 0.625 | 149 | 1.20 | 14,000 | JH 1010 | 0.030 |
| RC 121610 FS | RC 121610 | 3/4 | 0.750 | 1.000 | 0.625 | 206 | 1.40 | 12,000 | J 126 | 0.034 |
| RC 162110 FS | RC 162110 | 1 | 1.000 | 1.313 | 0.625 | 439 | 1.90 | 8,700 | JH 1612 | 0.058 |

RCB

| Unit No. | | Shaft Diameter | Bore (inch) | Outer Diameter (inch) | Width (inch) | Torque Rating (in-lbf) | Static Load Rating | Dynamic Load Rating | Overrun Limiting Speed for Rotating Shaft | Weight |
|------------------|-----------------|----------------|-------------|-----------------------|--------------|------------------------|--------------------|---------------------|---|--------|
| Stainless Spring | Integral Spring | | F | D | B | | | | | |
| RCB 061014 FS | RCB 061014 | 3/8 | 0.375 | 0.625 | 0.875 | 48.2 | 1,100 | 1,350 | 18,000 | 0.030 |
| RCB 081214 FS | RCB 081214 | 1/2 | 0.500 | 0.750 | 0.875 | 78.3 | 1,460 | 1,600 | 17,000 | 0.036 |
| RCB 101416 FS | RCB 101416 | 5/8 | 0.625 | 0.875 | 1.000 | 149.0 | 1,830 | 1,810 | 14,000 | 0.050 |
| RCB 121616 FS | RCB 121616 | 3/4 | 0.750 | 1.000 | 1.000 | 206.0 | 2,200 | 2,000 | 12,000 | 0.057 |
| RCB 162117 FS | RCB 162117 | 1 | 1.000 | 1.313 | 1.063 | 439.0 | 3,960 | 3,460 | 8,700 | 0.100 |