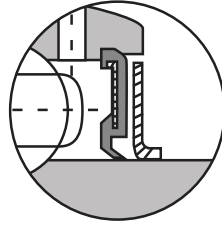
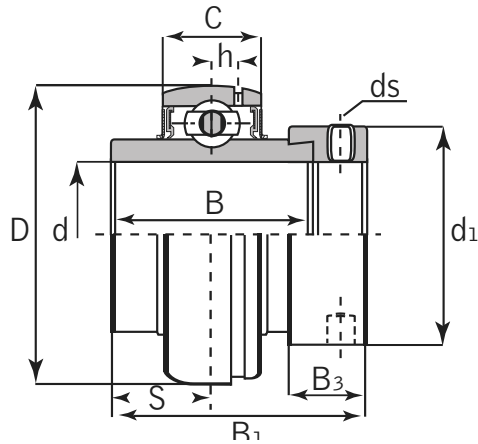


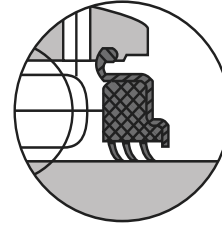


Bearing Insert

Eccentric Collar Series - Normal Duty



Dual Seal



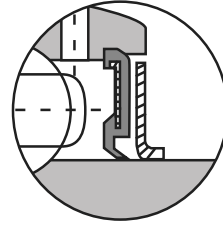
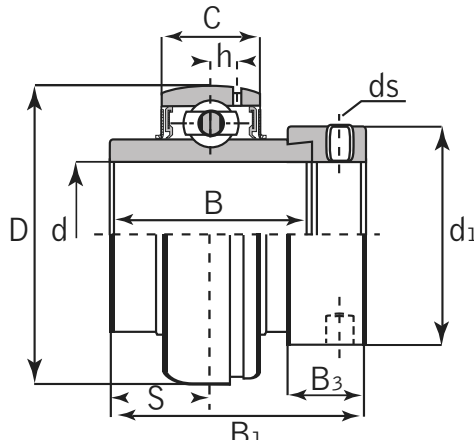
Triple Seal optional

HC

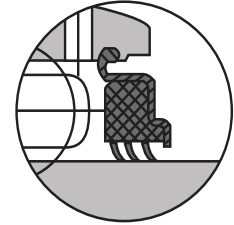
Unit No.	Shaft Dia. (inch / mm)	Dimensions (inch / mm)									Basic Load Rating lbf / N		Eccentric Collar	Weight		
		d	D	d1	B	B1	B3	C	S	h	ds	Dynamic		Static	kg	lbs
HC 202	15 mm													A 202	0.27	0.59
202-9	9/16													202-9	0.26	0.57
202-10	5/8													202-10	0.26	0.57
203	17mm	1.8504	1.311	1.3465	1.7205	0.5315	0.6693	0.6793	0.146	1/4-28 UNF	2886	1495	203	0.25	0.55	
203-11	11/16	47	33.3	34.2	43.7	13.5	17	17.1	3.7	M6 x 0.75	12840	6650	203-11	0.25	0.55	
204	20 mm												204	0.23	0.51	
204-12	3/4												204-12	0.23	0.51	
HC 205	25 mm												A 205	0.27	0.59	
205-14	7/8	2.0472	1.5000	1.3740	1.7480	0.5315	0.6693	0.6890	0.154	1/4-28 UNF	3152	1771	205-14	0.31	0.68	
205-15	15/16	52	38.1	34.9	44.4	13.5	17	17.5	3.9	M6 x 0.75	14020	7880	205-15	0.29	0.64	
205-16	1												205-16	0.27	0.59	
HC 206	30 mm												A 206	0.45	0.99	
206-17	1-1/16	2.4409	1.7520	1.4370	1.9055	0.6260	0.7480	0.7205	0.197	5/16-24 UNF	4375	2542	206-17	0.50	1.10	
206-18	1-1/8	62	44.5	36.5	48.4	15.9	19	18.3	5.0	M8 x 1	19460	11310	206-18	0.47	1.03	
206-19	1-3/16												206-19	0.45	0.99	
206-20	1-1/4												206-20	0.42	0.92	
HC 207	35 mm												A 207	0.60	1.32	
207-20	1-1/4	2.8346	2.189	1.4803	2.0118	0.6890	0.7874	0.7402	0.224	5/16-24 UNF	5771	3439	207-20	0.67	1.47	
207-21	1-5/16	72	55.6	37.6	51.1	17.5	20	18.8	5.7	M8 x 1	25670	15300	207-21	0.63	1.39	
207-22	1-3/8												207-22	0.60	1.32	
207-23	1-7/16												207-23	0.57	1.25	
HC 208	40 mm												A 208	0.79	1.74	
208-24	1-1/2	3.1496	2.3740	1.6850	2.2165	0.7205	0.8270	0.8425	0.244	5/16-24 UNF	6636	4078	208-24	0.84	1.85	
208-25	1-9/16	80	60.3	42.8	56.3	18.3	21	21.4	6.2	M8 x 1	29520	18140	208-25	0.80	1.76	
HC 209	45 mm												A 209	0.85	1.87	
209-26	1-5/8	3.3465	2.5000	1.6850	2.2165	0.7205	0.8661	0.8425	0.252	5/16-24 UNF	7119	4649	209-26	0.96	2.11	
209-27	1-11/16	85	63.5	42.8	56.3	18.3	22	21.4	6.4	M8 x 1	31670	20680	209-27	0.91	2.00	
209-28	1-3/4												209-28	0.87	1.91	

Bearing Insert

Eccentric Collar Series - Normal Duty



Dual Seal



Triple Seal optional

HC

Unit No.	Shaft Dia. (inch / mm)	Dimensions (inch / mm)										Basic Load Rating lbf / N		Eccentric Collar	Mass	
		d	D	d1	B	B1	B3	C	S	h	ds	Dynamic	Static		kg	lbs
HC 210	50 mm													A 210	0.99	2.18
210-30	1-7/8	3.5433	2.7520	1.9370	2.4685	0.7204	0.9449	0.9685	0.256	5/16-24 UNF	7884	5211	210-30	1.08	2.38	
210-31	1-15/16	90	69.9	49.2	62.7	18.3	24	24.6	6.5	M8x 1	35070	23180	210-31	1.02	2.24	
210-32	2												210-32	0.96	2.11	
HC 211	55 mm												A 211	1.32	2.90	
211-32	2	3.9370	3.000	2.1850	2.8110	0.8150	0.9843	1.0945	0.276	3/8-24 UNF	9752	6569	211-32	1.52	3.34	
211-34	2-1/8	100	76.2	55.5	71.4	20.7	25	27.8	7.0	M10 x 1.25	43380	29220	211-34	1.37	3.01	
211-35	2-3/16												211-35	1.29	2.84	
HC 212	60 mm												A 212	1.88	4.14	
212-36	2-1/4	4.3307	3.3150	2.4370	3.0630	0.8780	1.0630	1.2205	0.299	3/8-24 UNF	10736	7403	212-36	2.04	4.49	
212-38	2-3/8	110	84.2	61.9	77.8	22.3	27	31	7.6	M10 x 1.25	47760	32930	212-38	1.90	4.18	
212-39	2-7/16												212-39	1.77	3.89	
HC 213	65 mm												A 213	2.41	5.30	
213-40	2-1/2	4.7244	3.3858	2.6850	3.3740	0.9252	1.1024	1.3425	0.335	3/8-24 UNF	12861	8992	213-40	2.51	5.52	
		120	86	68.2	85.7	23.5	28	34.1	8.5	M10 x 1.25	57210	40000				
HC 214	70 mm												A 214	2.55	5.61	
214-43	2-11/16	4.9213	3.5433	2.6850	3.3740	0.9252	1.1811	1.3425	0.350	3/8-24 UNF	13675	10123	214-43	2.68	5.90	
214-44	2-3/4	125	90	68.2	85.7	23.5	30	34.1	8.9	M10 x 1.25	60830	45030	214-44	2.56	5.63	
HC 215	75 mm												A 215	2.84	6.25	
215-47	2-15/16	5.1811	4.0157	2.9370	3.6260	0.9252	1.2598	1.4685	0.362	3/8-24 UNF	14862	11128	215-47	2.88	6.34	
215-48	3	130	102	74.6	92.1	23.5	32	37.3	9.2	M10 x 1.25	66110	49500	215-48	2.74	6.03	
HC 216	80 mm												A 216	3.12	6.86	
216-50	3-1/8	5.5118	4.3307	2.9370	3.7480	1.0630	1.2992	1.4685	0.4055	7/16-20 UNF	16073	12184	216-50			
		140	110	74.6	95.2	27	33	37.3	10.3	M12 x 1.25	71500	54200				
HC 217	85 mm												A 217	3.6	7.92	
217-52	3-1/4	5.9055	4.6850	2.0944	2.8818	1.0630	1.3780	0.9212	0.4331	7/16-20 UNF	18703	14342	217-52			
217-55	3-7/16	150	119	53.2	73.2	27	35	23.4	11	M12 x 1.25	83200	63800	217-55			
HC 218	90 mm												A 218	4.55	10.01	
218-56	3-1/2	6.2992	4.7244	2.1653	2.8543	1.2519	1.4567	0.9645	0.4724	7/16-20 UNF	21558	16073	218-56			
		160	120	55	72.5	31.8	37	24.5	12	M12 x 1.25	95900	71500				