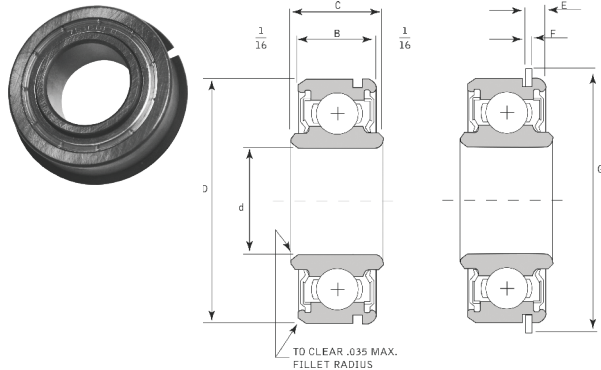




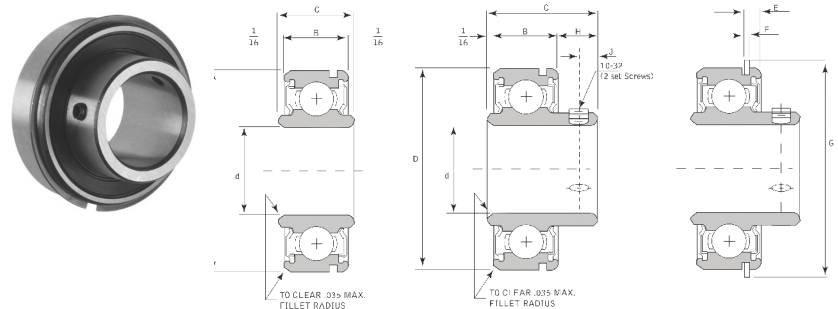
# Radial Ball Bearings

## Inch Series

### 7500 DLG



### 7600 DLG



### 7500 DLG

Unit No.	Bore	Outer Diameter	Outer Width	Inner Width	(inch)	(inch)	(inch)	Basic Load Rating (lbs)		Weight (lbs)
	(inch / mm)	(inch / mm)	(inch / mm)	(inch / mm)				Dynamic Cr	Static Cor	
	d	D	B	C	E	F	G			
7508 DLG	0.5000 <b>12.70</b>	1.7500 <b>44.4500</b>	0.6250 <b>15.8750</b>	0.7500 <b>19.0500</b>	0.136	0.042	1.921	1125	657	0.30
7510 DLG	0.6250 <b>15.88</b>	1.7500 <b>44.4500</b>	0.6250 <b>15.8750</b>	0.7500 <b>19.0500</b>	0.136	0.042	1.921	1125	657	0.28
7512 DLG	0.7500 <b>19.05</b>	1.7500 <b>44.4500</b>	0.6250 <b>15.8750</b>	0.7500 <b>19.0500</b>	0.136	0.042	1.921	1125	657	0.25
7514 DLG	0.8750 <b>22.23</b>	2.0000 <b>50.8000</b>	0.6250 <b>15.8750</b>	0.7500 <b>19.0500</b>	0.136	0.042	2.156	1680	1020	0.32
7516 DLG	1.0000 <b>25.40</b>	2.0000 <b>50.8000</b>	0.6250 <b>15.8750</b>	0.7500 <b>19.0500</b>	0.136	0.042	2.156	1680	1020	0.29
7518 DLG	1.1250 <b>28.57</b>	2.5625 <b>65.0875</b>	0.7500 <b>19.0500</b>	0.8750 <b>22.2250</b>	0.190	0.065	2.843	2526	1708	0.65
7520 DLG	1.2500 <b>31.75</b>	2.5625 <b>65.0875</b>	0.7500 <b>19.0500</b>	0.8750 <b>22.2250</b>	0.190	0.065	2.843	2526	1708	0.60

### 7600 DLG

Unit No.	Bore	Outer Diameter	Outer Width	Inner Width	(inch)	(inch)	(inch)	Basic Load Rating (lbs)		Weight (lbs)
	(inch / mm)	(inch / mm)	(inch / mm)	(inch / mm)				Dynamic Cr	Static Cor	
	d	D	B	C	E	F	G			
7612 DLG	0.75 <b>19.05</b>	1.7500 <b>44.4500</b>	0.6250 <b>15.8750</b>	1.0920 <b>27.7368</b>	0.136	0.042	1.921	1125	657	0.31
7614 DLG	0.875 <b>22.23</b>	2.0000 <b>50.8000</b>	0.6250 <b>15.8750</b>	1.1790 <b>29.9466</b>	0.136	0.042	2.156	1680	1020	0.43
7616 DLG	1 <b>25.40</b>	2.0000 <b>50.8000</b>	0.6250 <b>15.8750</b>	1.1790 <b>29.9466</b>	0.136	0.042	2.156	1680	1020	0.36
7618 DLG	1.125 <b>28.57</b>	2.5625 <b>65.0875</b>	0.7500 <b>19.0500</b>	1.4170 <b>35.9918</b>	0.190	0.065	2.843	2526	1708	0.76
7620 DLG	1.25 <b>31.75</b>	2.5625 <b>65.0875</b>	0.7500 <b>19.0500</b>	1.4170 <b>35.9918</b>	0.190	0.065	2.843	2526	1708	0.82