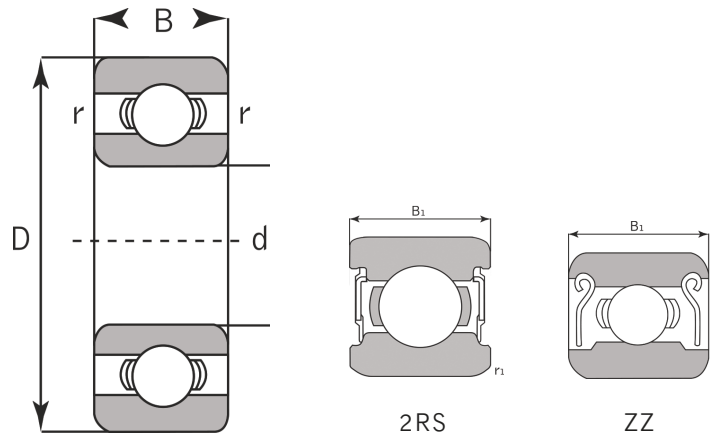




# Single Row Radial Ball Bearings



## 63800

Unit No.	Bore (inch / mm)	Outer Diameter (inch / mm)	Width (inch / mm)	Radius (inch / mm)	Basic Load Rating (lbs)		Weight (lbs)
	d	D	B	r	Dynamic Cr	Static Cor	
63800	0.3937 <b>10.00</b>	0.7480 <b>19.00</b>	0.2756 <b>7.00</b>	0.01 <b>0.3</b>	414	208	0.014
63801	0.4724 <b>12.00</b>	0.8268 <b>21.00</b>	0.2756 <b>7.00</b>	0.01 <b>0.3</b>	427	234	0.016
63802	0.5906 <b>15.00</b>	0.9449 <b>24.00</b>	0.2756 <b>7.00</b>	0.01 <b>0.3</b>	468	283	0.018
63803	0.6693 <b>17.00</b>	1.0236 <b>26.00</b>	0.2756 <b>7.00</b>	0.01 <b>0.3</b>	592	353	0.021
63804	0.7874 <b>20.00</b>	1.2598 <b>32.00</b>	0.3937 <b>10.00</b>	0.01 <b>0.3</b>	900	556	0.057
63805	0.9843 <b>25.00</b>	1.4567 <b>37.00</b>	0.3937 <b>10.00</b>	0.01 <b>0.3</b>	967	664	0.070
63806	1.1811 <b>30.00</b>	1.6535 <b>42.00</b>	0.3937 <b>10.00</b>	0.01 <b>0.3</b>	1012	765	0.081