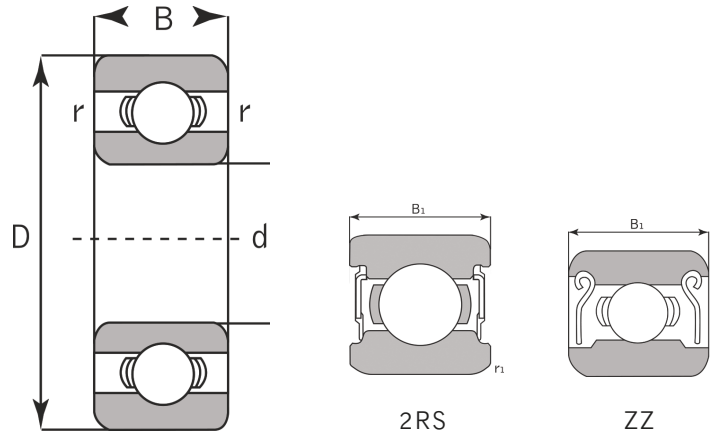




Single Row Radial Ball Bearings

Wide Series



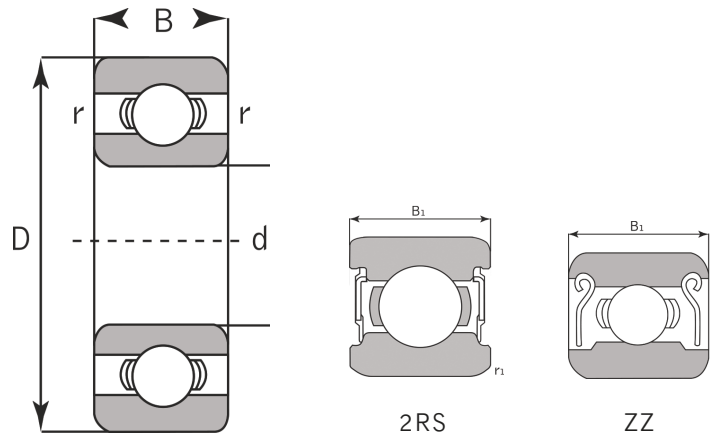
W 200 PP

| Unit No. | Bore (inch / mm) | Outer Diameter (inch / mm) | Width (inch / mm) | Radius (inch / mm) | Basic Load Rating (lbs) | | Weight (lbs) |
|----------|------------------------|-------------------------------|------------------------|-----------------------|-------------------------|------------|-----------------|
| | d | D | B | r | Dynamic Cr | Static Cor | |
| W 200 PP | 0.3930 10.00 | 1.1811 30.00 | 0.5625 14.30 | 0.039 1 | 0.837 | 0.396 | 0.100 |
| W 201 PP | 0.4724 12.00 | 1.2598 32.00 | 0.6250 15.90 | 0.039 1 | 1.102 | 0.617 | 0.120 |
| W 202 PP | 0.5906 15.00 | 1.3780 35.00 | 0.6250 15.90 | 0.039 1 | 1.256 | 0.727 | 0.150 |
| W 203 PP | 0.6693 17.00 | 1.5748 40.00 | 0.6890 17.50 | 0.039 1 | 1.565 | 0.903 | 0.220 |
| W 204 PP | 0.7874 20.00 | 1.8504 47.00 | 0.8110 20.60 | 0.059 1.5 | 2.204 | 1.388 | 0.330 |
| W 205 PP | 0.9843 25.00 | 2.0472 52.00 | 0.8110 20.60 | 0.059 1.5 | 2.380 | 1.543 | 0.390 |
| W 206 PP | 1.1811 30.00 | 2.4409 62.00 | 0.9370 23.80 | 0.059 1.5 | 3.306 | 2.204 | 0.620 |
| W 207 PP | 1.3780 35.00 | 2.8346 72.00 | 1.0630 27.00 | 0.079 2 | 4.365 | 2.865 | 0.990 |
| W 208 PP | 1.5748 40.00 | 3.1496 80.00 | 1.1890 30.20 | 0.079 2 | 4.629 | 3.196 | 1.380 |
| W 209 PP | 1.7717 45.00 | 3.3465 85.00 | 1.1890 30.20 | 0.079 2 | 5.070 | 3.527 | 1.470 |
| W 210 PP | 1.9687 50.00 | 3.5433 90.00 | 1.1890 30.20 | 0.079 2 | 5.511 | 4.078 | 1.690 |
| W 211 PP | 2.1654 55.00 | 3.9370 100.00 | 1.3125 33.30 | 0.098 2.5 | 8.920 | 6.520 | 2.040 |
| W 212 PP | 2.3622 60.00 | 4.3307 110.00 | 1.4375 36.50 | 0.098 2.5 | 11.46 | 8.205 | 2.800 |
| W 213 PP | 2.5591 65.00 | 4.7244 120.00 | 1.5000 38.10 | 0.059 1.5 | 14.000 | 9.890 | 3.480 |
| W 214 PP | 2.7559 70.00 | 4.9213 125.00 | 1.5625 39.70 | 0.059 1.5 | 14.000 | 9.890 | 3.840 |
| W 215 PP | 2.9528 75.00 | 5.1181 130.00 | 1.6250 41.20 | 0.059 1.5 | 15.750 | 10.895 | 4.190 |
| W 216 PP | 3.1496 80.00 | 5.5118 140.00 | 1.7500 44.40 | 0.059 1.5 | 17.500 | 11.900 | 5.270 |



Single Row Radial Ball Bearings

Wide Series



W 300 PP

| Unit No. | Bore (inch / mm) | Outer Diameter (inch / mm) | Width (inch / mm) | Radius (inch / mm) | Basic Load Rating (lbs) | | Weight (lbs) |
|----------|------------------------|-------------------------------|------------------------|-----------------------|-------------------------|------------|-----------------|
| | d | D | B | r | Dynamic Cr | Static Cor | |
| W 304 PP | 0.7874 20.00 | 2.0472 52.00 | 0.7850 22.22 | 0.039 1 | 4050 | 1760 | 0.470 |
| W 305 PP | 0.9843 25.00 | 2.4409 62.00 | 1.0000 25.40 | 0.039 1 | 6000 | 2750 | 0.780 |
| W 306 PP | 1.1811 30.00 | 2.8346 72.00 | 1.1880 30.18 | 0.039 1 | 7650 | 3550 | 1.230 |
| W 307 PP | 1.3780 35.00 | 3.1496 80.00 | 1.3750 34.92 | 0.059 1.5 | 8500 | 4150 | 1.720 |
| W 308 PP | 1.5748 40.00 | 3.5433 90.00 | 1.4380 36.53 | 0.059 1.5 | 11400 | 5850 | 2.250 |
| W 309 PP | 1.7717 45.00 | 3.9370 100.00 | 1.5620 39.67 | 0.059 1.5 | 13400 | 7100 | 3.020 |
| W 310 PP | 1.9687 50.00 | 4.3307 110.00 | 1.7500 44.45 | 0.079 2 | 15600 | 8500 | 4.030 |
| W 311 PP | 2.1654 55.00 | 4.7244 120.00 | 1.9380 49.23 | 0.079 2 | 18300 | 10000 | 5.260 |
| W 312 PP | 2.3622 60.00 | 5.1181 130.00 | 2.1250 53.98 | 0.079 2 | 20800 | 11600 | 6.730 |
| W 313 PP | 2.5591 65.00 | 5.5118 140.00 | 2.3120 58.72 | 0.079 2 | 23600 | 13400 | 8.560 |
| W 314 PP | 2.7559 70.00 | 5.9055 150.00 | 2.5000 63.5 | 0.079 2 | 26000 | 15300 | 10.430 |
| W 315 PP | 2.9528 75.00 | 6.2992 160.00 | 2.6880 68.28 | 0.079 2 | 29000 | 17300 | 12.810 |