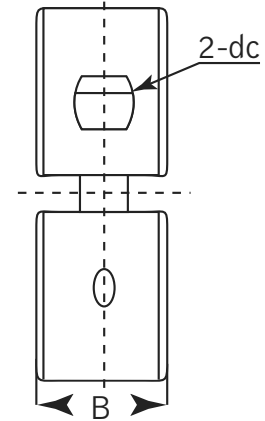
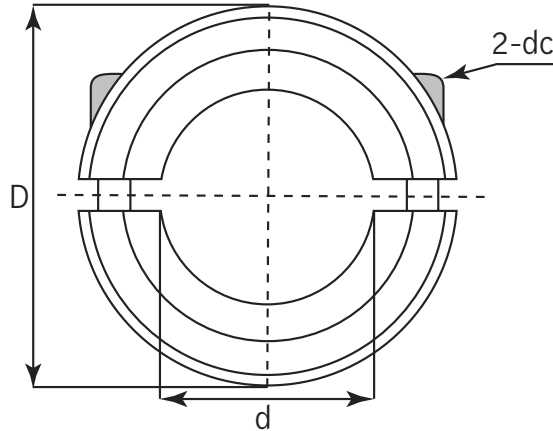
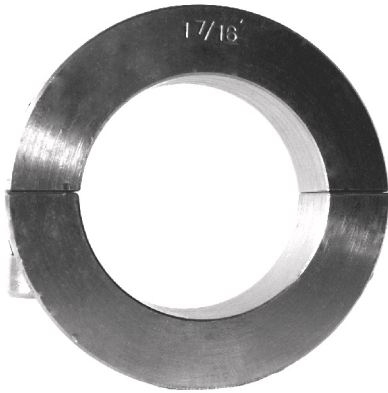




Two Piece Shaft Collar

2 SCSS Series



Unit No.	Dimensions (inch)				Mass		
	d	D	B	dc	kg	lbs	
2SCSS	1/8	0.125	0.500	0.250	4-40	0.014	0.030
	3/16	0.188	0.625	0.313	4-40	0.013	0.028
	1/4	0.250	0.688	0.313	4-40	0.012	0.026
	5/16	0.313	0.688	0.313	4-40	0.011	0.025
	3/8	0.375	0.875	0.375	6-32	0.023	0.050
2SCSS	7/16	0.438	0.938	0.375	6-32	0.023	0.051
	1/2	0.500	1.125	0.406	8-32	0.041	0.090
	9/16	0.563	1.250	0.438	10-32	0.040	0.088
	5/8	0.625	1.313	0.438	10-32	0.063	0.138
	11/16	0.688	1.375	0.438	10-32	0.060	0.131
2SCSS	3/4	0.750	1.500	0.500	1/4-28	0.102	0.225
	7/8	0.875	1.625	0.500	1/4-28	0.116	0.256
	15/16	0.938	1.750	0.500	1/4-28	0.111	0.244
	1	1.000	1.750	0.500	1/4-28	0.128	0.281
	1-1/8	1.125	1.875	0.500	1/4-28	0.142	0.313
2SCSS	1-3/16	1.188	2.063	0.500	1/4-28	0.134	0.294
	1-1/4	1.250	2.063	0.500	1/4-28	0.150	0.331
	1-5/16	1.313	2.125	0.563	1/4-28	0.142	0.313
	1-3/8	1.375	2.250	0.563	1/4-28	0.165	0.363
	1-7/16	1.438	2.250	0.563	1/4-28	0.156	0.344
2SCSS	1-1/2	1.500	2.375	0.563	1/4-28	0.176	0.388
	1-3/4	1.750	2.750	0.688	5/16-24	0.327	0.719
	1-15/16	1.938	3.000	0.688	5/16-24	0.381	0.838
	2	2.000	3.000	0.688	5/16-24	0.361	0.794
	2-1/4	2.250	3.250	0.750	5/16-24	0.398	0.875
2SCSS	2-3/8	2.375	3.500	0.750	5/16-24	0.381	0.838
	2-7/16	2.438	3.500	0.750	5/16-24	0.366	0.806
	2-1/2	2.500	3.750	0.875	3/8-24	0.648	1.425
	2-15/16	2.938	4.250	0.875	3/8-24	0.795	1.750
	3	3.000	4.250	0.875	3/8-24	0.756	1.663

Other sizes could be available upon request. Minimum quantity may apply.