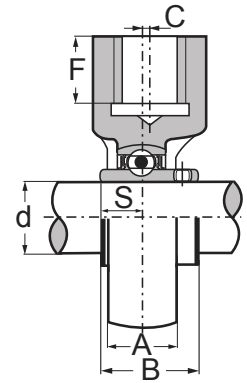
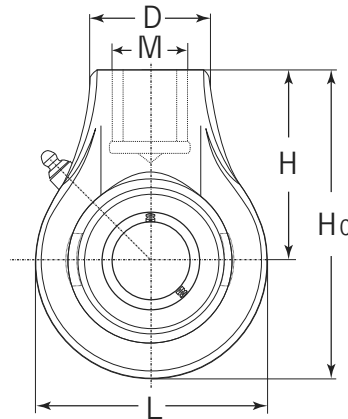


# Hanger Units

## Stainless Steel - SSUCHA Series



Also available with eccentric locking collar bearing

Unit No.	Shaft Dia. (inch / mm)	Dimensions (inch / mm)										Bearing No.	Housing No.	Mass	
		d	L	H0	C	A	H	M	D	F	B			S	kg
SSUCHA 201 201-8 202 202-10 203 204-12 204	12 mm 1/2 15 mm 5/8 17 mm 3/4 20 mm	2-17/32 <b>64</b>	3-25/32 <b>96</b>	0 0	13/16 <b>21</b>	2-33/64 <b>64</b>	Rp 3/4	1-9/16 <b>40</b>	3/4 <b>19</b>	1.2205 <b>31.0</b>	0.500 <b>12.7</b>	SUC 201 201-8 202 202-10 203 204-12 204	SHA 204	0.7	1.5
SSUCHA 205-14 205-15 205 205-16	7/8 15/16 25 mm 1	3-1/16 <b>78</b>	4-1/16 <b>103</b>	0 0	15/16 <b>24</b>	2-33/64 <b>64</b>	Rp 3/4	1-9/16 <b>40</b>	3/4 <b>19</b>	1.3425 <b>34.1</b>	0.563 <b>14.3</b>	SUC 205-14 205-15 205 205-16	SHA 205	1.0	2.2
SSUCHA 206-18 206 206-19 206-20	1-1/8 30 mm 1-3/16 1-1/4	3-1/16 <b>78</b>	4-1/16 <b>103</b>	0 0	1-3/32 <b>28</b>	2-33/64 <b>64</b>	Rp 3/4	1-9/16 <b>40</b>	3/4 <b>19</b>	1.5000 <b>38.1</b>	0.626 <b>15.9</b>	SUC 206-18 206 206-19 206-20	SHA 206	1.0	2.2
SSUCHA 207-20 207-21 207-22 207 207-23	1-1/4 1-5/16 1-3/8 35 mm 1-7/16	3-5/8 <b>92</b>	4-9/16 <b>116</b>	0 0	1-3/16 <b>30</b>	2-3/4 <b>70</b>	Rp 3/4	1-9/16 <b>40</b>	3/4 <b>19</b>	1.6890 <b>42.9</b>	0.689 <b>17.5</b>	SUC 207-20 207-21 207-22 207 207-23	SHA 207	1.4	3.1
SSUCHA 208-24 208-25 208	1-1/2 1-9/16 40 mm	3-25/32 <b>96</b>	4-3/4 <b>121</b>	3/32 2	1-5/16 <b>33</b>	2-7/8 <b>73</b>	Rp 3/4	1-9/16 <b>40</b>	3/4 <b>19</b>	1.9370 <b>49.2</b>	0.748 <b>19.0</b>	SUC 208-24 208-25 208	SHA 208	1.5	3.3
SSUCHA 209-26 209-27 209-28 209	1-5/8 1-11/16 1-3/4 45 mm	4-1/4 <b>108</b>	5-11/32 <b>136</b>	3/16 5	1-3/8 <b>35</b>	3-15/64 <b>82</b>	Rp 1	1-7/8 <b>40</b>	13/16 <b>21</b>	1.9370 <b>49.2</b>	0.748 <b>19.0</b>	SUC 209-26 209-27 209-28 209	SHA 209	2.1	4.6
SSUCHA 210-30 210-31 210 210-32	1-7/8 1-15/16 50 mm 2	4-21/32 <b>118</b>	5-19/32 <b>142</b>	3/16 5	1-15/32 <b>37</b>	3-17/64 <b>83</b>	Rp 1	1-7/8 <b>40</b>	13/16 <b>21</b>	2.0315 <b>51.6</b>	0.748 <b>19.0</b>	SUC 210-30 210-31 210 210-32	SHA 210	2.6	5.7

Other sizes could be available upon request. Minimum quantity may apply. Please refer to page 52 for setscrew maximum torque informations.

Designation of Thread	Dimensions (mm)		
	Major Diameter of Internal Thread	Pitch Diameter	Minor Diameter of Internal Thread
Rp 3/4 (PS 3/4)	26.441	25.279	24.117
Rp 1 (PS1)	33.249	31.770	30.291