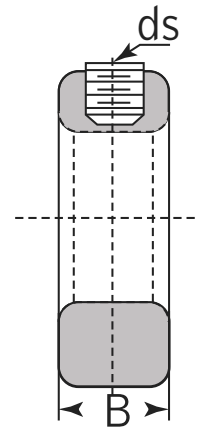
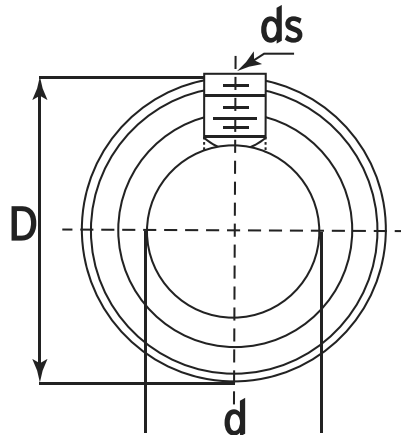


Solid Shaft Collar



GRB Part number	Bore «d»	O.D. «D»	Width «B»
SC 1/8	1/8	0.355	0.250
SC 3/16	3/16	0.418	0.250
SC 1/4	1/4	0.480	2.810
SC 5/16	5/16	0.605	0.313
SC 3/8	3/8	0.730	0.375
SC 7/16	7/16	0.855	0.437
SC 1/2	1/2	0.980	0.437
SC 9/16	9/16	0.980	0.437
SC 5/8	5/8	1.105	0.500
SC 11/16	11/16	1.230	0.562
SC 3/4	3/4	1.230	0.562
SC 13/16	13/16	1.480	0.562
SC 7/8	7/8	1.480	0.562
SC 15/16	15/16	1.605	0.562
SC 1	1	1.605	0.625
SC 1-1/16	1-1/16	1.730	0.625
SC 1-1/8	1-1/8	1.730	0.625
SC 1-3/16	1-3/16	1.975	0.687
SC 1-1/4	1-1/4	1.975	0.687
SC 1-5/16	1-5/16	2.100	0.687
SC 1-3/8	1-3/8	2.100	0.750
SC 1-7/16	1-7/16	2.225	0.750
SC 1-1/2	1-1/2	2.225	0.813
SC 1-9/16	1-9/16	2.480	0.813
SC 1-5/8	1-5/8	2.480	0.813

GRB Part number	Bore «d»	O.D. «D»	Width «B»
SC 1-11/16	1 11/16	2.480	0.813
SC 1-3/4	1 3/4	2.720	0.875
SC 1-13/16	1 13/16	2.720	0.875
SC 1-7/8	1 7/8	2.720	0.875
SC 1-15/16	1 15/16	2.975	0.875
SC 2	2	2.975	0.875
SC 2-1/8	2 1/8	2.975	0.875
SC 2-3/16	2 3/16	3.225	0.937
SC 2-1/4	2 1/4	3.225	0.937
SC 2-5/16	2 5/16	3.225	0.937
SC 2-3/8	2 3/8	3.225	0.937
SC 2-7/16	2 7/16	3.470	1.000
SC 2-1/2	2 1/2	3.470	1.000
SC 2-9/16	2 9/16	3.720	1.125
SC 2-5/8	2 5/8	3.720	1.125
SC 2-11/16	2 11/16	3.970	1.125
SC 2-3/4	2 3/4	3.970	1.125
SC 2-13/16	2 13/16	3.970	1.125
SC 2-7/8	2 7/8	4.220	1.125
SC 2-15/16	2 15/16	4.220	1.125
SC 3	3	4.220	1.125
SC 3-3/16	3 3/16	4.220	1.125
SC 3-7/16	3 7/16	4.470	1.125
SC 3-15/16	3 15/16	4.970	1.125
SC 4-7/16	4 7/16	5.970	1.375
SC 4-15/16	4 15/16	6.400	1.375

Standard Tolerances

Dimensions (Bore)	Tolerances
1/8" - 3"	+0.001 - +0.003
3" - 4 15/16"	+0.001 - +0.004

Items in bold = stock items
 other sizes available
 on request
 Some sizes available
 in zinc plated or
 black oxide finish