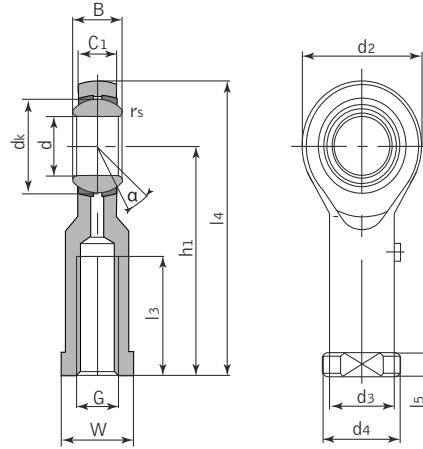


Rod End

Steel-on-Bronze



SIZP

Bearing Number	Dimensions (inch / mm)															Load Ratings kN		Weight ~kg
	d	B	dK	C1 Max	d2	G	h1	l3 Min	l4	l5	W	d3	d4	rs Min	α° \approx	Dynamic	Static	
SIZP4Z	0.187 4.83	7.92 0.312	0.437 11.1	0.25 6.35	0.625 15.88	10-32	1.062 26.97	0.562 14.27	1.375 34.93	0.187 4.75	0.312 7.92	0.297 7.54	0.406 10.31	0.012 0.3	10	3.4	4.6	0.015
SIZP6Z	0.25 6.35	0.375 9.53	0.5 12.7	0.281 7.14	0.750 19.05	1/4-28	1.312 33.32	0.75 19.05	1.687 42.85	0.187 4.75	0.375 9.53	0.36 9.15	0.469 11.91	0.012 0.3	13	4.5	7.7	0.025
SIZP7Z	0.3125 7.94	0.437 11.1	0.625 15.88	0.344 8.74	0.875 22.23	5/16-24	1.375 34.93	0.750 19.05	1.812 46.02	0.187 4.75	0.437 11.1	0.422 10.72	0.5 12.7	0.012 0.3	10	6.9	8.4	0.036
SIZP9Z	0.375 9.53	0.5 12.7	0.719 18.26	0.406 10.31	1 25.4	3/8-24	1.625 41.28	0.937 23.81	2.125 53.98	0.25 6.35	14.27 0.562	0.547 13.89	17.45 0.687	0.024 0.6	9	9.4	10	0.061
SIZP11Z	0.437 11.1	0.562 14.27	0.812 20.62	0.437 11.1	1.125 28.58	7/16-20	1.812 46.02	1.062 26.97	2.375 60.33	0.25 6.35	0.625 15.88	0.61 15.49	0.750 19.05	0.024 0.6	11	11	13	0.081
SIZP12Z	0.5 12.7	0.625 15.88	0.937 23.81	0.5 12.7	1.312 33.32	1/2-20	2.125 53.98	1.187 30.15	2.781 70.64	0.25 6.35	0.750 19.05	0.735 18.67	0.875 22.23	0.024 0.6	9	15	19	0.133
SIZP15Z	0.625 15.88	0.750 19.05	1.125 28.58	0.562 14.27	1.5 38.1	5/8-18	2.5 63.5	1.5 38.1	3.25 82.55	0.312 7.92	0.875 22.23	0.86 21.84	1 25.4	0.024 0.6	11	20	21	0.19
SIZP19Z	0.750 19.05	0.875 22.23	1.312 33.32	0.687 17.45	1.75 44.45	3/4-16	2.875 73.03	1.75 44.45	3.75 95.25	0.312 7.92	1 25.4	0.985 25.02	1.125 28.58	0.024 0.6	10	29	29	0.285
SIZP25Z	1 25.4	1.375 34.93	1.875 47.63	1 25.4	2.75 69.85	1 1/4-12	4.125 104.78	2.125 53.98	5.5 139.7	0.437 11.1	1.5 38.1	1.485 37.72	1.75 44.45	0.024 0.6	14	60	101	1

For left-hand thread suffix "L" is added to bearings number e.g. SILZP12Z.