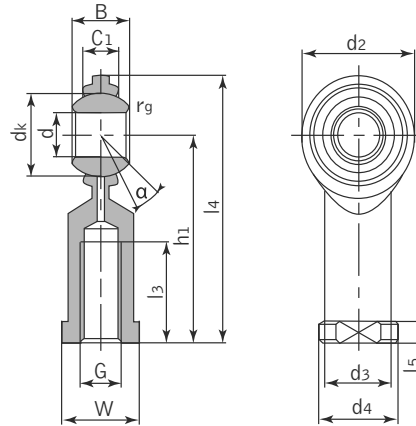




# Rod End

## Steel-on-Steel



## SIZJ

Bearing Number	Dimensions (inch / mm)															Load Ratings kN		Weight ~kg
	d	B	dK	C1 MAX	d2	G	h1	l3 Min	l4	l5	W	d3	d4	rs Min	α° ≈	Dynamic	Static	
SIZJ4	<b>0.19</b> 4.83	<b>0.312</b> 7.92	<b>0.437</b> 11.1	<b>0.234</b> 5.94	<b>0.625</b> 15.88	10-32	<b>1.062</b> 26.97	<b>0.5</b> 12.7	<b>1.375</b> 34.93	<b>0.187</b> 4.75	<b>0.312</b> 7.92	<b>0.297</b> 7.54	<b>0.406</b> 10.31	<b>0.012</b> 0.3	10	3.6	6.8	0.018
SIZJ6	<b>0.25</b> 6.35	<b>0.375</b> 9.53	<b>0.5</b> 12.7	<b>0.25</b> 6.35	<b>0.75</b> 19.05	1/4-28	<b>1.312</b> 33.32	<b>0.625</b> 15.88	<b>1.687</b> 42.85	<b>0.187</b> 4.75	<b>0.375</b> 9.53	<b>0.36</b> 9.15	<b>0.469</b> 11.91	<b>0.012</b> 0.3	13.5	5.4	9.6	0.023
SIZJ7	<b>0.3125</b> 7.94	<b>0.437</b> 11.1	<b>0.625</b> 15.88	<b>0.312</b> 7.92	<b>0.875</b> 22.23	5/16-24	<b>1.375</b> 34.93	<b>0.625</b> 15.88	<b>1.812</b> 46.02	<b>0.187</b> 4.75	<b>0.437</b> 11.1	<b>0.422</b> 10.72	<b>0.5</b> 12.7	<b>0.012</b> 0.3	11	8.5	12	0.036
SIZJ9	<b>0.375</b> 9.53	<b>0.5</b> 12.7	<b>0.719</b> 18.26	<b>0.359</b> 9.12	<b>1</b> 25.4	3/8-24	<b>1.625</b> 41.28	<b>0.75</b> 19.05	<b>2.125</b> 53.98	<b>0.25</b> 6.35	<b>0.562</b> 14.27	<b>0.547</b> 13.89	<b>17.45</b> 0.687	<b>0.024</b> 0.6	11	11	16	0.059
SIZJ11	<b>0.4375</b> 11.11	<b>0.562</b> 14.27	<b>0.812</b> 20.62	<b>0.406</b> 10.31	<b>1.125</b> 28.58	7/16-20	<b>1.812</b> 46.02	<b>0.875</b> 22.23	<b>2.375</b> 60.33	<b>0.25</b> 6.35	<b>0.625</b> 15.88	<b>0.61</b> 15.49	<b>0.75</b> 19.05	<b>0.024</b> 0.6	10.5	14	21	0.082
SIZJ12	<b>0.5</b> 12.7	<b>0.625</b> 15.88	<b>0.937</b> 23.81	<b>0.453</b> 11.5	<b>1.312</b> 33.32	1/2-20	<b>2.125</b> 53.98	<b>1</b> 25.4	<b>2.781</b> 70.64	<b>0.25</b> 6.35	<b>0.75</b> 19.05	<b>0.735</b> 18.67	<b>0.875</b> 22.23	<b>0.024</b> 0.6	10	18	28	0.132
SIZJ15	<b>0.625</b> 15.88	<b>0.75</b> 19.05	<b>1.125</b> 28.58	<b>0.484</b> 12.29	<b>1.5</b> 38.1	5/8-18	<b>2.5</b> 63.5	<b>1.25</b> 31.75	<b>3.25</b> 82.55	<b>0.312</b> 7.92	<b>0.875</b> 22.23	<b>0.86</b> 21.84	<b>1</b> 25.4	<b>0.024</b> 0.6	13	23	29	0.195
SIZJ19	<b>0.75</b> 19.05	<b>0.875</b> 22.23	<b>1.312</b> 33.32	<b>0.593</b> 15.06	<b>1.75</b> 44.45	3/4-16	<b>2.875</b> 73.03	<b>1.375</b> 34.93	<b>3.75</b> 95.25	<b>0.312</b> 7.92	<b>1</b> 25.4	<b>0.985</b> 25.02	<b>1.125</b> 28.58	<b>0.024</b> 0.6	12	34	44	0.295

For left-hand thread suffix "L" is added to bearings number e.g. SILZJ12.  
Also available with grease fitting, add letter "G" at the end e.g. SIZJ19G.