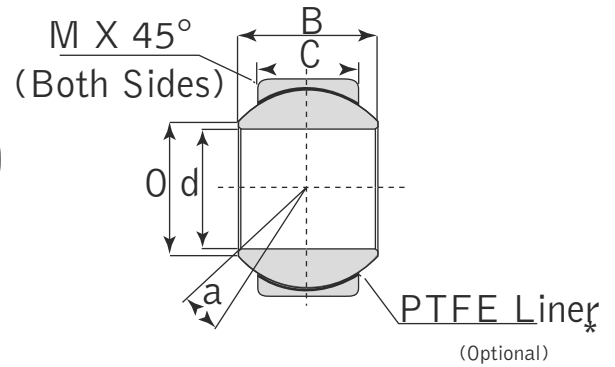
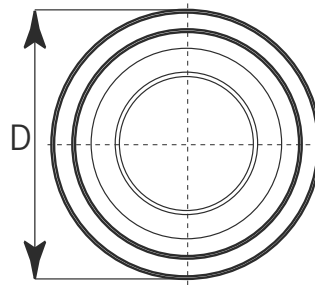


# Rod End

## Steel on Steel - Inch Series



## COM

Unit No.	Dimensions (inch)							Ball Diameter Ref.	Load Rating lbf / N static	Weight lbs
	d	D	C	B	O	M	a			
COM 2	0.1650	0.4687	0.187	0.250	0.235	0.020	9.0	0.343	3 200	0.01
COM 3	0.1900	0.5625	0.218	0.281	0.293	0.015	11.0	0.406	4 875	0.01
COM 4	0.2500	0.6562	0.250	0.343	0.364	0.022	13.5	0.500	7 425	0.02
COM 5	0.3125	0.7500	0.281	0.375	0.419	0.032	12.0	0.562	9 713	0.03
COM 6	0.3750	0.8125	0.312	0.406	0.516	0.032	10.0	0.656	12 600	0.04
COM 7	0.4375	0.9062	0.343	0.437	0.530	0.032	8.0	0.687	14 180	0.05
COM 8	0.5000	1.0000	0.390	0.500	0.640	0.032	9.5	0.781	19 875	0.07
COM 9	0.5625	1.0937	0.437	0.562	0.710	0.032	9.5	0.875	24 945	0.09
COM 10	0.6250	1.1875	0.500	0.625	0.780	0.032	8.5	0.968	31 920	0.11
COM 12	0.7500	1.4375	0.593	0.750	0.920	0.044	9.0	1.187	47 880	0.20
COM 14	0.8750	1.5625	0.703	0.875	0.980	0.044	9.5	1.312	62 940	0.26
COM 16	1.0000	1.7500	0.797	1.000	1.118	0.044	10.0	1.500	82 800	0.39

## HCOM

Unit No.	Dimensions (inch)							Ball Diameter Ref.	Load Rating lbf / N static	Weight lbs
	d	D	C	B	O	M	a			
HCOM 16	1.0000	2.0000	0.781	1.000	1.360	0.032	9.0	1.687	106 230	0.55
HCOM 19	1.1875	2.3750	0.937	1.187	1.610	0.032	8.5	2.000	151 095	0.90
HCOM 20	1.2500	2.3750	0.937	1.187	1.610	0.032	8.5	2.000	151 095	0.90
HCOM 24	1.5000	2.7500	1.094	1.375	1.860	0.032	8.5	2.312	203 925	1.36
HCOM 28	1.7500	3.1250	1.250	1.562	2.110	0.044	8.0	2.625	264 555	1.95
HCOM 32	2.0000	3.5000	1.375	1.750	2.360	0.044	8.5	2.937	325 590	2.66

\*Optional PTFE lining. Add -T after part number.