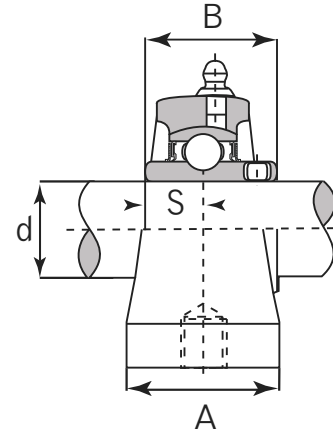
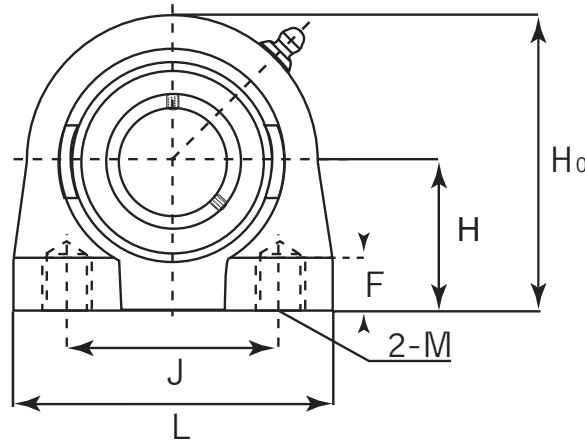


Pillow Block

Normal Duty



UCTB Taped Base

Unit No.	Shaft Dia. (inch / mm)	Dimensions (inch / mm)									Bolt Size	Bearing No.	Housing No.	Weight	
		d	H	H0	L	J	A	B	S	F				M	kg
UCTB 204 204-12	20 mm 3/4	1-5/16 33.3	2-33/64 64	2-9/16 65	2 50.8	1-17/64 32	1.2204 31	0.500 12.7	37/64 14.5	3/8-16 UNC	UC 204 204-12	TB 204	0.46 0.46	1.01 1.01	
UCTB 205 205-14 205-15 205-16	25 mm 7/8 15/16 1	1-7/16 36.5	2-3/4 70	2-3/4 70	2 50.8	1-27/64 36	1.3425 34.1	0.5629 14.3	33/64 13	3/8-16 UNC	UC 205 205-14 205-15 205-16	TB 205	0.67 0.70 0.68 0.67	1.47 1.54 1.50 1.47	
UCTB 206 206-18 206-19 206-20	30 mm 1-1/8 1-3/16 1-1/4	1-11/16 42.9	3-15/64 82	3-55/64 98	3 76.2	1-37/64 40	1.5 38.1	0.6259 15.9	5/8 16	7/16-14 UNC	UC 206 206-18 206-19 206-20	TB 206	1.12 1.14 1.12 1.11	2.46 2.51 2.46 2.44	
UCTB 207 207-20 207-21 207-22 207-23	35 mm 1-1/4 1-5/16 1-3/8 1-7/16	1-7/8 47.6	3-21/32 93	4-1/16 103	3-1/4 82.6	1-49/64 45	1.6889 42.9	0.6889 17.5	3/4 19	1/2-13 UNC	UC 207 207-20 207-21 207-22 207-23	TB 207	1.38 1.44 1.41 1.38 1.35	3.04 3.17 3.10 3.04 2.97	
UCTB 208 208-24 208-25	40 mm 1-1/2 1-9/16	1-15/16 49.2	3-57/64 99	4-9/16 116	3-1/2 88.9	1-57/64 48	1.6889 49.2	0.7480 19	3/4 19	1/2-13 UNC	UC 208 208-24 208-25	TB 208	1.86 1.90 1.87	4.09 4.18 4.11	
UCTB 209 209-26 209-27 209-28	45 mm 1-5/8 1-11/16 1-3/4	2-1/8 53.9	4-7/32 107	4-23/32 120	3-3/4 95.3	1-57/64 48	1.6889 49.2	0.7480 19	3/4 19	1/2-13 UNC	UC 209 209-26 209-27 209-28	TB 209	1.92 2.02 1.98 1.94	4.22 4.44 4.36 4.27	
UCTB 210 210-30 210-31 210-32	50 mm 1-7/8 1-15/16 2	2-1/4 57.2	4-17/32 115	5-5/16 135	4 101.6	2-1/8 54	2.0314 51.6	0.7480 19	55/64 22	5/8-11 UNC	UC 210 210-30 210-31 210-32	TB 210	2.24 2.31 2.26 2.22	4.93 5.08 4.97 4.88	