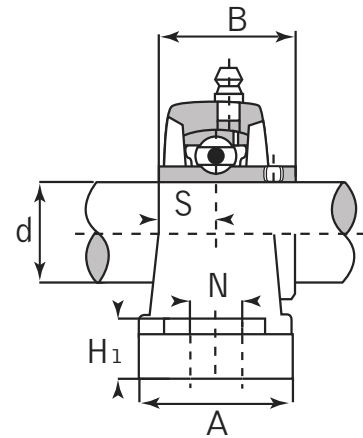
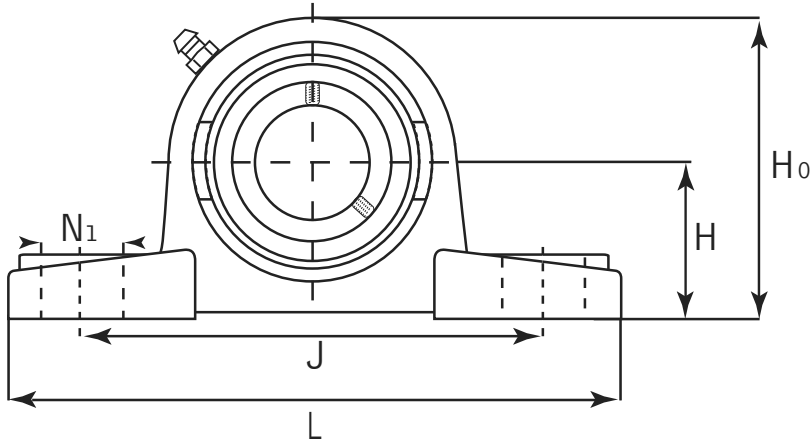




# Pillow Block

Medium Duty

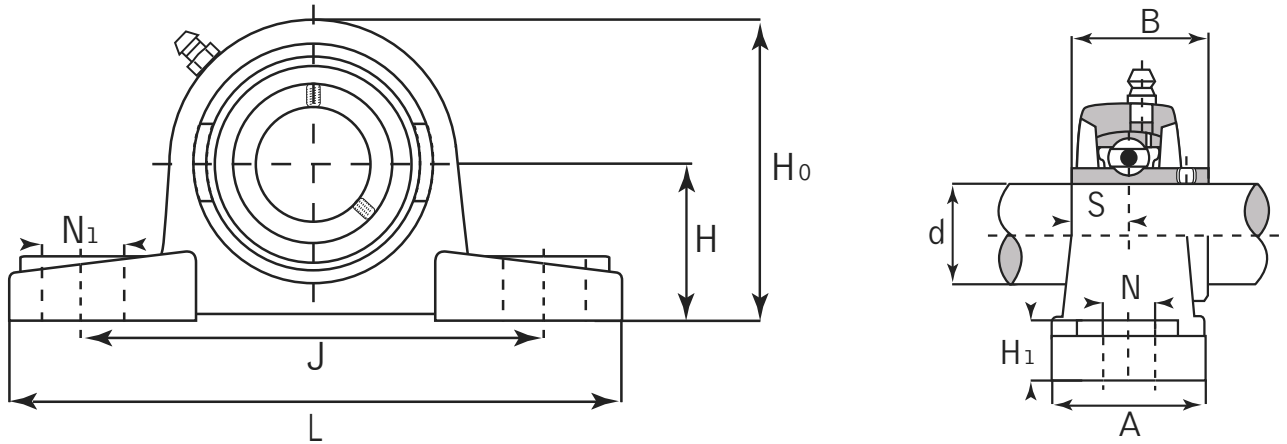


## UCPX Set Screw Locking

Unit No.	Shaft Dia. (inch / mm)	Dimensions (inch / mm)										Bolt Size	Bearing No.	Housing No.	Weight	
		d	H	H0	H1	L	J	A	N	N1	S				B	kg
UCPX 05 05-14 05-15 05-16	25 mm 7/8 15/16 1	1-3/4 <b>44.4</b>	3-11/32 <b>85</b>	23/32 <b>18</b>	6-1/4 <b>159</b>	4-11/16 <b>119</b>	2 <b>51</b>	43/64 <b>17</b>	25/32 <b>20</b>	0.6259 <b>15.9</b>	1.500 <b>38.1</b>	1/2 M14	UCX 05 05-14 05-15 05-16	PX 05	1.50	3.30
UCPX 06 06-18 06-19 06-20	30 mm 1-1/8 1-3/16 1-1/4	1-7/8 <b>47.6</b>	3-21/32 <b>93</b>	25/32 <b>20</b>	6-7/8 <b>175</b>	5 <b>127</b>	2-1/4 <b>57</b>	43/64 <b>17</b>	25/32 <b>20</b>	0.6889 <b>17.5</b>	1.6889 <b>42.9</b>	1/2 M14	UCX 06 06-18 06-19 06-20	PX 06	2.00	4.40
UCPX 07 07-21 07-22 07-23	35 mm 1-5/16 1-3/8 1-7/16	2-1/8 <b>54</b>	4-1/8 <b>105</b>	13/16 <b>21</b>	8 <b>203</b>	5-21/32 <b>144</b>	2-1/4 <b>57</b>	43/64 <b>17</b>	25/32 <b>20</b>	0.7480 <b>19</b>	1.6889 <b>49.2</b>	1/2 M14	UCX 07 07-21 07-22 07-23	PX 07	2.60	5.72
UCPX 08 08-24 08-25	40 mm 1-1/2 1-9/16	2-5/16 <b>58.7</b>	4-3/8 <b>111</b>	1-1/32 <b>26</b>	8-3/4 <b>222</b>	6-5/32 <b>156</b>	2-5/8 <b>67</b>	25/32 <b>20</b>	29/32 <b>23</b>	0.7480 <b>19</b>	1.6889 <b>49.2</b>	5/8 M16	UCX 08 08-24 08-25	PX 08	3.30	7.26
UCPX 09 09-26 09-27 09-28	45 mm 1-5/8 1-11/16 1-3/4	2-5/16 <b>58.7</b>	4-9/16 <b>116</b>	1-1/32 <b>26</b>	8-3/4 <b>222</b>	6-5/32 <b>156</b>	2-5/8 <b>67</b>	25/32 <b>20</b>	29/32 <b>23</b>	0.7480 <b>19</b>	2.0979 <b>51.6</b>	5/8 M16	UCX 09 09-26 09-27 09-28	PX 09	3.30	7.26
UCPX 10 10-30 10-31 10-32	50 mm 1-7/8 1-15/16 2	2-1/2 <b>63.5</b>	4-31/32 <b>126</b>	1-1/16 <b>27</b>	9-1/2 <b>241</b>	6-47/64 <b>171</b>	2-7/8 <b>73</b>	25/32 <b>20</b>	29/32 <b>23</b>	0.8740 <b>22.2</b>	2.1889 <b>55.6</b>	5/8 M16	UCX 10 10-30 10-31 10-32	PX 10	4.30	9.46
UCPX 11 11-35 11-36	55 mm 2-3/16 2-1/4	2-3/4 <b>69.8</b>	5-13/32 <b>137</b>	1-3/16 <b>30</b>	10-1/4 <b>260</b>	7-1/4 <b>184</b>	3-1/8 <b>79</b>	31/32 <b>25</b>	1-3/32 <b>28</b>	1.000 <b>25.4</b>	2.5629 <b>65.1</b>	3/4 M20	UCX 11 11-35 11-36	PX 11	5.70	12.54

# Pillow Block

## Medium Duty



### UCPX Set Screw Locking

Unit No.	Shaft Dia. (inch / mm)	Dimensions (inch / mm)										Bolt Size	Bearing No.	Housing No.	Weight	
		d	H	H0	H1	L	J	A	N	N1	S				B	kg
UCPX 12 12-38 12-39	60 mm 2-3/8 2-7/16	3 <b>76.2</b>	5-15/16 <b>151</b>	1-5/16 <b>33</b>	11-1/4 <b>286</b>	8 <b>203</b>	3-9/32 <b>83</b>	31/32 <b>25</b>	1-3/32 <b>28</b>	1.000 <b>25.4</b>	2.5629 <b>65.1</b>	3/4 M20	UCX 12 12-38 12-39	PX 12	7.30	16.06
UCPX 13 13-40	65 mm 2-1/2	3 <b>76.2</b>	6-1/16 <b>154</b>	1-5/16 <b>33</b>	11-1/4 <b>286</b>	8 <b>203</b>	3-9/32 <b>83</b>	31/32 <b>25</b>	1-3/32 <b>28</b>	1.1889 <b>30.2</b>	2.9370 <b>74.6</b>	3/4 M20	UCX 13 13-40	PX 13	7.60	16.72
UCPX 14 14-44	70 mm 2-3/4	3-1/2 <b>88.9</b>	6-11/16 <b>170</b>	1-3/8 <b>35</b>	13 <b>330</b>	9-1/32 <b>229</b>	3-1/2 <b>89</b>	1-1/16 <b>27</b>	1-3/16 <b>30</b>	1.3110 <b>33.3</b>	3.0629 <b>77.8</b>	7/8 M22	UCX 14 14-44	PX 14	9.90	21.78
UCPX 15 15-47 15-48	75 mm 2-15/16 3	3-1/2 <b>88.9</b>	6-7/8 <b>175</b>	1-3/8 <b>35</b>	13 <b>330</b>	9-1/32 <b>229</b>	3-1/2 <b>89</b>	1-1/16 <b>27</b>	1-3/16 <b>30</b>	1.3110 <b>33.3</b>	3.2519 <b>82.6</b>	7/8 M22	UCX 15 15-47 15-48	PX 15	11.00	24.20
UCPX 16 16-50	80 mm 3-1/8	4 <b>101.6</b>	7-5/8 <b>194</b>	1-9/16 <b>40</b>	15 <b>381</b>	11-5/32 <b>283</b>	4-1/32 <b>102</b>	1-1/16 <b>27</b>	1-3/16 <b>30</b>	1.3425 <b>34.1</b>	3.3740 <b>85.7</b>	3/4 M22	UCX 16 16-50	PX 16	15.00	33.00
UCPX 17 17-52 17-55	85 mm 3-1/4 3-7/16	4 <b>101.6</b>	7-7/8 <b>200</b>	1-9/16 <b>40</b>	15 <b>381</b>	11-5/32 <b>283</b>	4-1/32 <b>102</b>	1-1/16 <b>27</b>	1-3/16 <b>30</b>	1.5236 <b>38.7</b>	3.7795 <b>96</b>	7/8 M22	UCX 17 17-52 17-55	PX 17	16.00	35.20
UCPX 18 18-56	90 mm 3-1/2	4 <b>101.6</b>	8-7/64 <b>206</b>	1-37/64 <b>40</b>	15 <b>381</b>	11-5/32 <b>283</b>	4-3/8 <b>111</b>	1-1/16 <b>27</b>	1-3/16 <b>30</b>	1.6889 <b>42.9</b>	4.0944 <b>104</b>	7/8 M22	UCX 18 18-56	PX 18	17.00	37.40
UCPX 20 20-63 20-64	100 mm 3-15/16 4	5 <b>127</b>	9-39/64 <b>244</b>	1-25/32 <b>45</b>	17 <b>432</b>	13-9/32 <b>337</b>	4-3/4 <b>121</b>	1-5/16 <b>33</b>	1-27/64 <b>36</b>	1.9370 <b>49.2</b>	4.6259 <b>117.5</b>	1 M27	UCX 20 20-63 20-64	PX 20	30.00	66.00