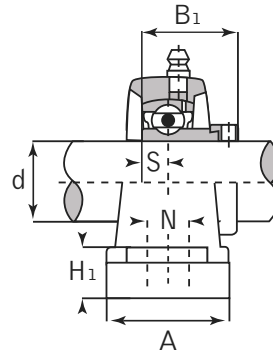
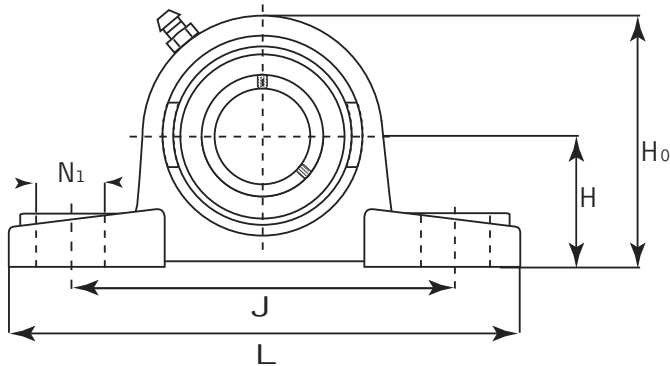


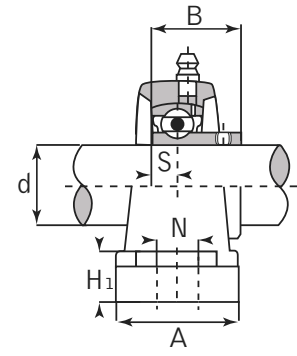


# Pillow Block

Light Duty



SALP-G



SBLP-G

## SALP-G Eccentric Locking Collar SBLP-G Set Screw Locking

Unit No. SALP-G SBLP-G	Shaft Dia. (inch / mm)	Dimensions (inch / mm)								SALP - G		SBLP - G		Bolt Size	Bearing No. SA-G SB-G	Housing No.	Mass	
		d	H	H0	H1	L	J	A	N	N1	S	B1	S				B	kg
201G 201-8G 202G 202-10G 203G 203-11G	12 mm 1/2 15 mm 5/8 17 mm 11/16	1-3/16 <b>30.2</b>	2-1/4 <b>57</b>	15/32 <b>12</b>	4-1/2 <b>114</b>	3-7/16 <b>87</b>	32/32 <b>25</b>	7/16 <b>11</b>	5/8 <b>16</b>	0.7702 <b>6.5</b>	1.1259 <b>28.6</b>	0.2362 <b>6</b>	0.8661 <b>22</b>	3/8 M10	201G 201-8G 202G 202-10G 203G 203-11G	LP 203	0.6	1.32
204G 204-12G	20 mm 3/4	1-5/16 <b>33.3</b>	2-1/2 <b>63.8</b>	9/16 <b>14</b>	4-29/32 <b>125</b>	3-13/16 <b>97</b>	1-1/16 <b>27</b>	29/64 <b>11.5</b>	5/8 <b>16</b>	0.2952 <b>7.5</b>	1.2165 <b>30.9</b>	0.2755 <b>7</b>	0.9842 <b>25</b>	3/8 M10	204G 204-12G	LP 204	0.7	1.43
205G 205-14G 205-15G 205-16G	25 mm 7/8 15/16 1	1-7/16 <b>36.5</b>	2-47/64 <b>69.5</b>	19/32 <b>15</b>	5-1/8 <b>130</b>	3-15/16 <b>100</b>	1-5/32 <b>29</b>	29/64 <b>11.5</b>	5/8 <b>16</b>	0.2952 <b>7.5</b>	1.2165 <b>30.9</b>	0.2952 <b>7.5</b>	1.0629 <b>27</b>	3/8 M10	205G 205-14G 205-15G 205-16G	LP 205	0.7	1.43
206G 206-18G 206-19G 206-20G	30 mm 1-1/8 1-3/16 1-1/4	1-11/16 <b>42.9</b>	3-5/16 <b>84</b>	5/8 <b>16</b>	6-9/64 <b>156</b>	4-3/4 <b>121</b>	1-19/64 <b>33</b>	35/64 <b>14</b>	13/16 <b>21</b>	0.3543 <b>9</b>	1.4055 <b>35.7</b>	0.3149 <b>8</b>	1.1811 <b>30</b>	1/2 M14	206G 206-18G 206-19G 206-20G	LP 206	1.2	2.5
207G 207-20G 207-21G 207-22G 207-23G	35 mm 1-1/4 1-5/16 1-3/8 1-7/16	1-7/8 <b>47.6</b>	3-21/32 <b>93</b>	5/8 <b>16</b>	6-1/2 <b>165</b>	5 <b>127</b>	1-3/8 <b>35</b>	35/64 <b>14</b>	13/16 <b>21</b>	0.3740 <b>9.5</b>	1.5314 <b>38.9</b>	0.3346 <b>8.5</b>	1.2598 <b>32</b>	1/2 M14	207G 207-20G 207-21G 207-22G 207-23G	LP 207	1.6	3.5
208G 208-24G 208-25G	40 mm 1-1/2 1-9/16	2 <b>50.8</b>	4-1/64 <b>102</b>	45/64 <b>18</b>	7-1/4 <b>184</b>	5-1/2 <b>140</b>	1-29/64 <b>37</b>	35/64 <b>14</b>	7/8 <b>22</b>	0.3740 <b>9.5</b>	1.5944 <b>40.5</b>	0.3543 <b>9</b>	1.3385 <b>34</b>	1/2 M14	208G 208-24G 208-25G	LP 208	1.9	4.2