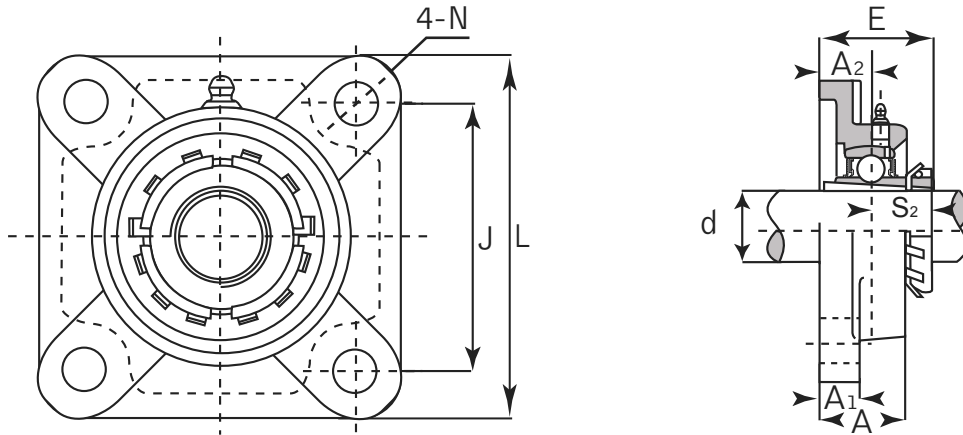




# Four-Bolt Holes Flange Unit

Normal Duty

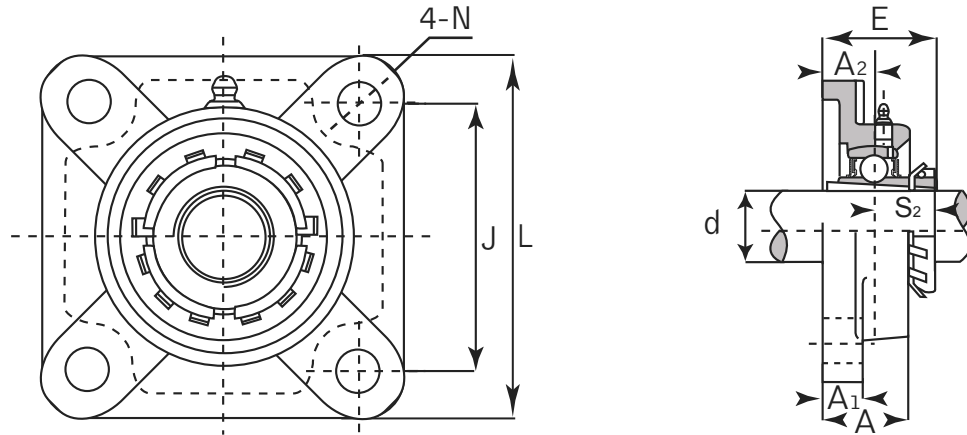


## UKF+H Adapter Sleeve Locking

Unit No.	Shaft Dia. (inch / mm)	Dimensions (inch / mm)								Bolt Size	Bearing No.	Adapter No.	Housing No.	Weight	
		d	L	J	A	A1	A2	N	E					S2	kg
UKF 205 + H 2305 + HE 2305	20 mm 3/4	3-3/4 <b>95</b>	2-3/4 <b>70</b>	1-1/16 <b>27</b>	35/64 <b>14</b>	5/8 <b>16</b>	15/32 <b>12</b>	1-25/64 <b>35.5</b>	0.7283 <b>18.5</b>	3/8 M 10	UK 205	H 2305 HE 2305	F 205	0.85	1.87
UKF 206 + H 2306 + HA 2306 + HE 2306 + HS 2306	25 mm 7/8 15/16 1	4-1/4 <b>108</b>	3-17/64 <b>83</b>	1-7/32 <b>31</b>	35/64 <b>14</b>	45/64 <b>18</b>	15/32 <b>12</b>	1-17/32 <b>39</b>	0.8070 <b>20.5</b>	3/8 M 10	UK 206	H 2306 HA 2306 HE 2306 HS 2306	F 206	1.16	2.55
UKF 207 + H 2307 + HA 2307 + HS 2307	30 mm 1-1/8 1-3/16	4-39/64 <b>117</b>	3-5/8 <b>92</b>	1-11/32 <b>34</b>	5/8 <b>16</b>	3/4 <b>19</b>	35/64 <b>14</b>	1-43/64 <b>42.5</b>	0.8858 <b>22.5</b>	7/16 M 12	UK 207	H 2307 HA 2307 HS 2307	F 207	1.55	3.41
UKF 208 + H 2308 + HE 2308 + HS 2308	35 mm 1-1/4 1-3/8	5-1/8 <b>130</b>	4-1/64 <b>102</b>	1-27/64 <b>36</b>	5/8 <b>16</b>	53/64 <b>21</b>	5/8 <b>16</b>	1-53/64 <b>46.5</b>	0.9640 <b>24.5</b>	1/2 M 14	UK 208	H 2308 HE 2308 HS 2308	F 208	1.94	4.27
UKF 209 + H 2309 + HA 2309 + HE 2309 + HS 2309	40 mm 1-7/16 1-1/2 1-5/8	5-13/32 <b>137</b>	4-9/64 <b>105</b>	1-1/2 <b>38</b>	23/32 <b>18</b>	55/64 <b>22</b>	5/8 <b>16</b>	1-29/32 <b>48.5</b>	1.0236 <b>26</b>	1/2 M 14	UK 209	H 2309 HA 2309 HE 2309 HS 2309	F 209	2.30	5.06
UKF 210 + H 2310 + HA 2310 + HE 2310 + HS 2310	45 mm 1-5/8 1-11/16 1-3/4	5-5/8 <b>143</b>	4-3/8 <b>111</b>	1-9/16 <b>40</b>	23/32 <b>18</b>	55/64 <b>22</b>	5/8 <b>16</b>	1-31/32 <b>50</b>	1.0826 <b>27.5</b>	1/2 M 14	UK 210	H 2310 HA 2310 HE 2310 HS 2310	F 210	2.59	5.70

# Four-Bolt Holes Flange Unit

## Normal Duty



### UKF+H Adapter Sleeve Locking

Unit No.	Shaft Dia. (inch / mm)	Dimensions (inch / mm)								Bolt Size	Bearing No.	Adapter No.	Housing No.	Weight	
		d	L	J	A	A1	A2	N	E					S2	kg
UKF 211 + H 2311 + HA 2311 + HE 2311 + HS 2311	50 mm 1-7/8 1-15/16 2	6-3/8 <b>162</b>	5-1/8 <b>130</b>	1-11/16 <b>43</b>	25/32 <b>20</b>	63/64 <b>25</b>	3/4 <b>19</b>	2-9/64 <b>54.5</b>	1.1220 <b>28.5</b>	5/8 M 16	UK 211	H 2311 HA 2311 HE 2311 HS 2311	F 211	3.46	7.61
UKF 212 + H 2312 + HS 2312	55 mm 2-1/8	6-57/64 <b>175</b>	5-5/8 <b>143</b>	1-57/64 <b>48</b>	25/32 <b>20</b>	1-9/64 <b>29</b>	3/4 <b>19</b>	2-13/32 <b>61</b>	1.2204 <b>31</b>	5/8 M 16	UK 212	H 2312 HS 2312	F 212	4.33	9.53
UKF 213 + H 2313 + HA 2313 + HE 2313 + HS 2313	60 mm 2-3/16 2-1/4 2-3/8	7-23/64 <b>187</b>	5-55/64 <b>149</b>	1-31/32 <b>50</b>	55/64 <b>22</b>	1-3/16 <b>30</b>	3/4 <b>19</b>	2-33/64 <b>64</b>	1.2598 <b>32</b>	5/8 M 16	UK 213	H 2313 HA 2313 HE 2313 HS 2313	F 213	4.90	10.78
UKF 215 + H 2315 + HA 2315 + HE 2315	65 mm 2-7/16 2-1/2	7-7/8 <b>200</b>	6-17/64 <b>159</b>	2-7/32 <b>56</b>	55/64 <b>22</b>	1-11/32 <b>34</b>	3/4 <b>19</b>	2-51/64 <b>71</b>	1.3976 <b>35.5</b>	5/8 M 16	UK 215	H 2315 HA 2315 HE 2315	F 215	7.02	15.44
UKF 216 + H 2316 + HA 2316 + HE 2316	70 mm 2-11/16 2-3/4	8-3/16 <b>208</b>	6-1/2 <b>165</b>	2-9/32 <b>58</b>	55/64 <b>22</b>	1-11/32 <b>34</b>	29/32 <b>23</b>	2-57/64 <b>73.5</b>	1.5354 <b>39</b>	3/4 M 20	UK 216	H 2316 HA 2316 HE 2316	F 216	7.76	17.07
UKF 217 + H 2317 + HA 2317 + HE 2317	75 mm 2-15/16 3	8-21/32 <b>220</b>	6-57/64 <b>175</b>	2-15/32 <b>63</b>	15/16 <b>24</b>	1-27/64 <b>36</b>	29/32 <b>23</b>	3-1/32 <b>77</b>	1.5748 <b>40</b>	3/4 M 20	UK 217	H 2317 HA 2317 HE 2317	F 217	10.08	22.18
UKF 218 + H 2318	80 mm	9-1/4 <b>235</b>	7-23/64 <b>187</b>	2-11/16 <b>68</b>	15/16 <b>24</b>	1-37/64 <b>40</b>	29/32 <b>23</b>	3-13/64 <b>81.5</b>	1.6535 <b>42</b>	3/4 M 20	UK 218	H 2318	F 218	12.44	27.37