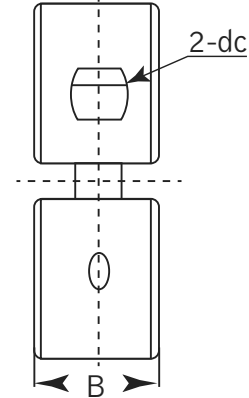
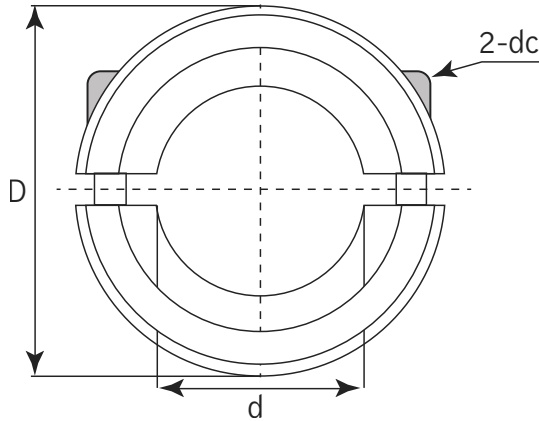




Double Split Shaft Collar



GRB Part number	Bore «d»	O.D. «D»	Width «B»
2SC 1/8	1/8	1/2	1/4
2SC 3/16	3/16	5/8	5/16
2SC 1/4	1/4	11/16	5/16
2SC 5/16	5/16	11/16	5/16
2SC 3/8	3/8	7/8	11/32
2SC 7/16	7/16	15/16	3/8
2SC 1/2	1/2	1 1/8	13/32
2SC 9/16	9/16	1 1/4	7/16
2SC 5/8	5/8	1 5/16	7/16
2SC 11/16	11/16	1 3/8	7/16
2SC 3/4	3/4	1 1/2	1/2
2SC 13/16	13/16	1 5/8	1/2
2SC 7/8	7/8	1 5/8	1/2
2SC 15/16	15/16	1 3/4	1/2
2SC 1	1	1 3/4	1/2
2SC 1 1/16	1 1/16	1 7/8	1/2
2SC 1 1/8	1 1/8	1 7/8	1/2
2SC 1 3/16	1 3/16	2 1/16	1/2
2SC 1 1/4	1 1/4	2 1/16	1/2
2SC 1 5/16	1 5/16	2 1/8	9/16
2SC 1 3/8	1 3/8	2 1/4	9/16
2SC 1 7/16	1 7/16	2 1/4	9/16
2SC 1 1/2	1 1/2	2 3/8	9/16
2SC 1 9/16	1 9/16	2 3/8	9/16
2SC 1 5/8	1 5/8	2 5/8	11/16

GRB Part number	Bore «d»	O.D. «D»	Width «B»
2SC 1 11/16	1 11/16	2 3/4	11/16
2SC 1 3/4	1 3/4	2 3/4	11/16
2SC 1 13/16	1 13/16	2 7/8	11/16
2SC 1 7/8	1 7/8	2 7/8	11/16
2SC 1 15/16	1 15/16	3	11/16
2SC 2	2	3	11/16
2SC 2 1/16	2 1/16	3 1/8	3/4
2SC 2 1/8	2 1/8	3 1/4	3/4
2SC 2 3/16	2 3/16	3 1/4	3/4
2SC 2 1/4	2 1/4	3 1/4	3/4
2SC 2 5/16	2 5/16	3 3/8	3/4
2SC 2 3/8	2 3/8	3 1/2	3/4
2SC 2 7/16	2 7/16	3 1/2	3/4
2SC 2 1/2	2 1/2	3 3/4	7/8
2SC 2 9/16	2 9/16	3 7/8	7/8
2SC 2 5/8	2 5/8	3 7/8	7/8
2SC 2 11/16	2 11/16	4	7/8
2SC 2 3/4	2 3/4	4	7/8
2SC 2 13/16	2 13/16	4 1/4	7/8
2SC 7/8	2 7/8	4 1/4	7/8
2SC 2 15/16	2 15/16	4 1/4	7/8
2SC 3	3	4 1/4	7/8
2SC 3 3/16	3 3/16	4 1/2	7/8
2SC 3 7/16	3 7/16	4 3/4	7/8
2SC 3 1/2	3 1/2	4 3/4	7/8
2SC 3 15/16	3 15/16	5 1/4	7/8

Standard Tolerances

Dimensions (Bore)	Tolerances
1/8" - 3"	+0.001 - +0.003
3" - 3 15/16"	+0.001 - +0.004

Items in bold = stock items
other sizes available on request