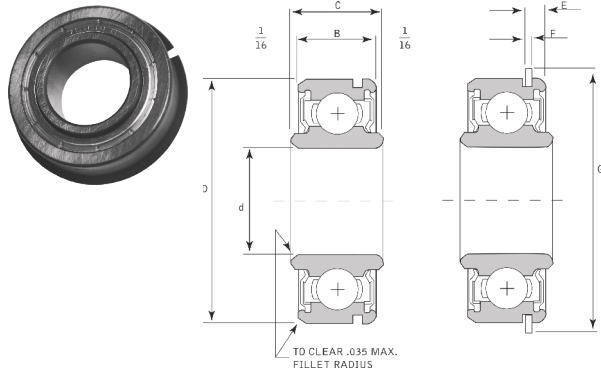




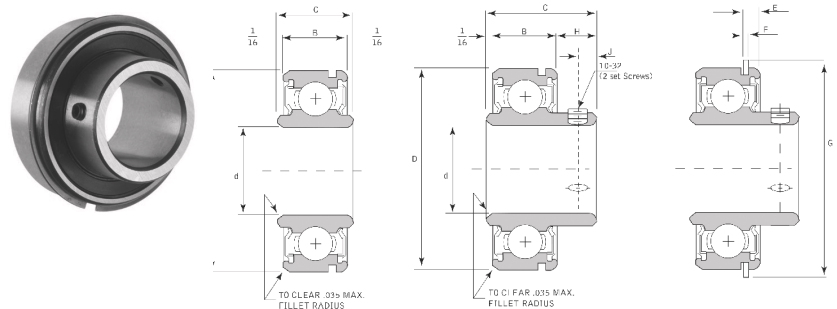
Radial Ball Bearings

Inch Series

7500 DLG



7600 DLG



7500 DLG

Unit No.	Bore	Outer Diameter	Outer Width	Inner Width	(inch)	(inch)	(inch)	Basic Load Rating (lbs)		Weight (lbs)
	(inch / mm)	(inch / mm)	(inch / mm)	(inch / mm)				Dynamic Cr	Static Cor	
	d	D	B	C	E	F	G			
7508 DLG	0.5000 12.70	1.7500 44.4500	0.6250 15.8750	0.7500 19.0500	0.136	0.042	1.921	1125	657	0.30
7510 DLG	0.6250 15.88	1.7500 44.4500	0.6250 15.8750	0.7500 19.0500	0.136	0.042	1.921	1125	657	0.28
7512 DLG	0.7500 19.05	1.7500 44.4500	0.6250 15.8750	0.7500 19.0500	0.136	0.042	1.921	1125	657	0.25
7514 DLG	0.8750 22.23	2.0000 50.8000	0.6250 15.8750	0.7500 19.0500	0.136	0.042	2.156	1680	1020	0.32
7516 DLG	1.0000 25.40	2.0000 50.8000	0.6250 15.8750	0.7500 19.0500	0.136	0.042	2.156	1680	1020	0.29
7518 DLG	1.1250 28.57	2.5625 65.0875	0.7500 19.0500	0.8750 22.2250	0.190	0.065	2.843	2526	1708	0.65
7520 DLG	1.2500 31.75	2.5625 65.0875	0.7500 19.0500	0.8750 22.2250	0.190	0.065	2.843	2526	1708	0.60

7600 DLG

Unit No.	Bore	Outer Diameter	Outer Width	Inner Width	(inch)	(inch)	(inch)	Basic Load Rating (lbs)		Weight (lbs)
	(inch / mm)	(inch / mm)	(inch / mm)	(inch / mm)				Dynamic Cr	Static Cor	
	d	D	B	C	E	F	G			
7612 DLG	0.75 19.05	1.7500 44.4500	0.6250 15.8750	1.0920 27.7368	0.136	0.042	1.921	1125	657	0.31
7614 DLG	0.875 22.23	2.0000 50.8000	0.6250 15.8750	1.1790 29.9466	0.136	0.042	2.156	1680	1020	0.43
7616 DLG	1 25.40	2.0000 50.8000	0.6250 15.8750	1.1790 29.9466	0.136	0.042	2.156	1680	1020	0.36
7618 DLG	1.125 28.57	2.5625 65.0875	0.7500 19.0500	1.4170 35.9918	0.190	0.065	2.843	2526	1708	0.76
7620 DLG	1.25 31.75	2.5625 65.0875	0.7500 19.0500	1.4170 35.9918	0.190	0.065	2.843	2526	1708	0.82