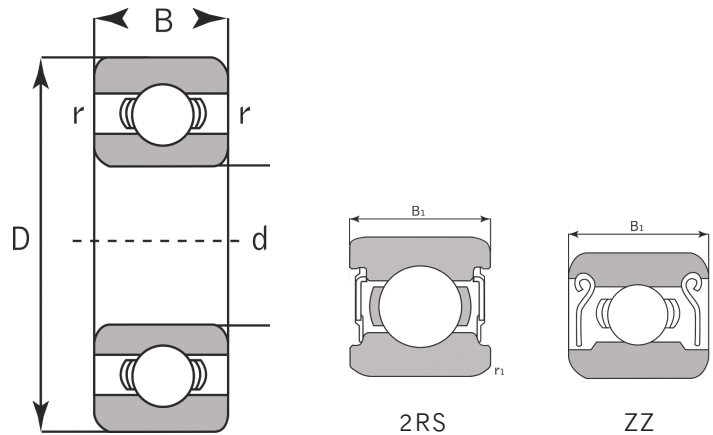




Single Row Radial Ball Bearings



63800

Unit No.	Bore (inch / mm)	Outer Diameter (inch / mm)	Width (inch / mm)	Radius (inch / mm)	Basic Load Rating (lbs)		Weight (lbs)
	d	D	B	r	Dynamic Cr	Static Cor	
63800	0.3937 10.00	0.7480 19.00	0.2756 7.00	0.01 0.3	414	208	0.014
63801	0.4724 12.00	0.8268 21.00	0.2756 7.00	0.01 0.3	427	234	0.016
63802	0.5906 15.00	0.9449 24.00	0.2756 7.00	0.01 0.3	468	283	0.018
63803	0.6693 17.00	1.0236 26.00	0.2756 7.00	0.01 0.3	592	353	0.021
63804	0.7874 20.00	1.2598 32.00	0.3937 10.00	0.01 0.3	900	556	0.057
63805	0.9843 25.00	1.4567 37.00	0.3937 10.00	0.01 0.3	967	664	0.070
63806	1.1811 30.00	1.6535 42.00	0.3937 10.00	0.01 0.3	1012	765	0.081