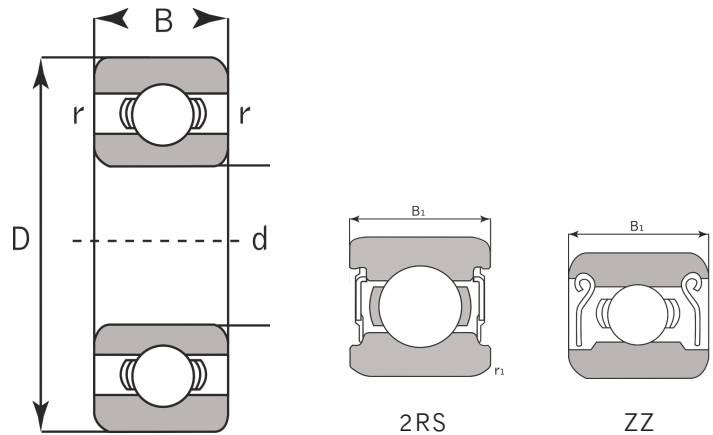
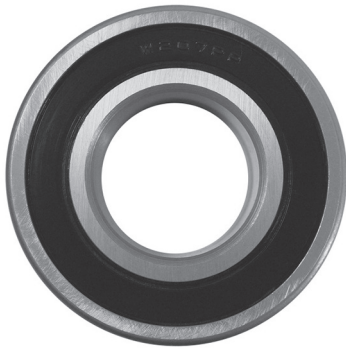




Single Row Radial Ball Bearings

Wide Series



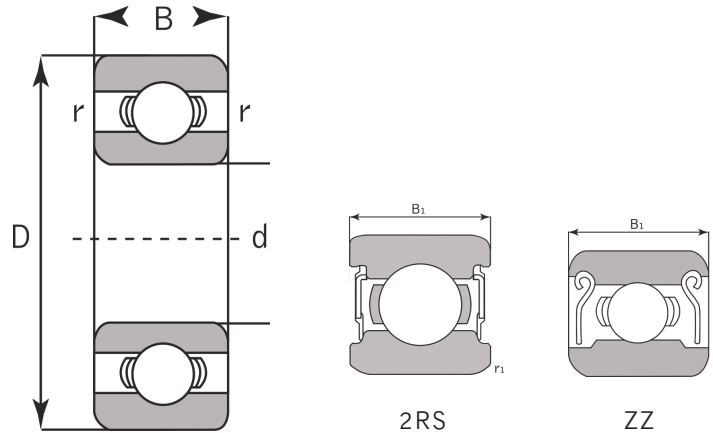
W 200 PP

Unit No.	Bore (inch / mm)	Outer Diameter (inch / mm)	Width (inch / mm)	Radius (inch / mm)	Basic Load Rating (lbs)		Weight (lbs)
	d	D	B	r	Dynamic Cr	Static Cor	
W 200 PP	0.3930 10.00	1.1811 30.00	0.5625 14.30	0.039 1	0.837	0.396	0.100
W 201 PP	0.4724 12.00	1.2598 32.00	0.6250 15.90	0.039 1	1.102	0.617	0.120
W 202 PP	0.5906 15.00	1.3780 35.00	0.6250 15.90	0.039 1	1.256	0.727	0.150
W 203 PP	0.6693 17.00	1.5748 40.00	0.6890 17.50	0.039 1	1.565	0.903	0.220
W 204 PP	0.7874 20.00	1.8504 47.00	0.8110 20.60	0.059 1.5	2.204	1.388	0.330
W 205 PP	0.9843 25.00	2.0472 52.00	0.8110 20.60	0.059 1.5	2.380	1.543	0.390
W 206 PP	1.1811 30.00	2.4409 62.00	0.9370 23.80	0.059 1.5	3.306	2.204	0.620
W 207 PP	1.3780 35.00	2.8346 72.00	1.0630 27.00	0.079 2	4.365	2.865	0.990
W 208 PP	1.5748 40.00	3.1496 80.00	1.1890 30.20	0.079 2	4.629	3.196	1.380
W 209 PP	1.7717 45.00	3.3465 85.00	1.1890 30.20	0.079 2	5.070	3.527	1.470
W 210 PP	1.9687 50.00	3.5433 90.00	1.1890 30.20	0.079 2	5.511	4.078	1.690
W 211 PP	2.1654 55.00	3.9370 100.00	1.3125 33.30	0.098 2.5	8.920	6.520	2.040
W 212 PP	2.3622 60.00	4.3307 110.00	1.4375 36.50	0.098 2.5	11.46	8.205	2.800
W 213 PP	2.5591 65.00	4.7244 120.00	1.5000 38.10	0.059 1.5	14.000	9.890	3.480
W 214 PP	2.7559 70.00	4.9213 125.00	1.5625 39.70	0.059 1.5	14.000	9.890	3.840
W 215 PP	2.9528 75.00	5.1181 130.00	1.6250 41.20	0.059 1.5	15.750	10.895	4.190
W 216 PP	3.1496 80.00	5.5118 140.00	1.7500 44.40	0.059 1.5	17.500	11.900	5.270



Single Row Radial Ball Bearings

Wide Series



W 300 PP

Unit No.	Bore (inch / mm)	Outer Diameter (inch / mm)	Width (inch / mm)	Radius (inch / mm)	Basic Load Rating (lbs)		Weight (lbs)
	d	D	B	r	Dynamic Cr	Static Cor	
W 304 PP	0.7874 20.00	2.0472 52.00	0.7850 22.22	0.039 1	4050	1760	0.470
W 305 PP	0.9843 25.00	2.4409 62.00	1.0000 25.40	0.039 1	6000	2750	0.780
W 306 PP	1.1811 30.00	2.8346 72.00	1.1880 30.18	0.039 1	7650	3550	1.230
W 307 PP	1.3780 35.00	3.1496 80.00	1.3750 34.92	0.059 1.5	8500	4150	1.720
W 308 PP	1.5748 40.00	3.5433 90.00	1.4380 36.53	0.059 1.5	11400	5850	2.250
W 309 PP	1.7717 45.00	3.9370 100.00	1.5620 39.67	0.059 1.5	13400	7100	3.020
W 310 PP	1.9687 50.00	4.3307 110.00	1.7500 44.45	0.079 2	15600	8500	4.030
W 311 PP	2.1654 55.00	4.7244 120.00	1.9380 49.23	0.079 2	18300	10000	5.260
W 312 PP	2.3622 60.00	5.1181 130.00	2.1250 53.98	0.079 2	20800	11600	6.730
W 313 PP	2.5591 65.00	5.5118 140.00	2.3120 58.72	0.079 2	23600	13400	8.560
W 314 PP	2.7559 70.00	5.9055 150.00	2.5000 63.5	0.079 2	26000	15300	10.430
W 315 PP	2.9528 75.00	6.2992 160.00	2.6880 68.28	0.079 2	29000	17300	12.810