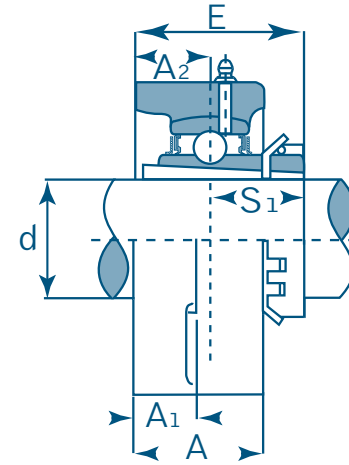
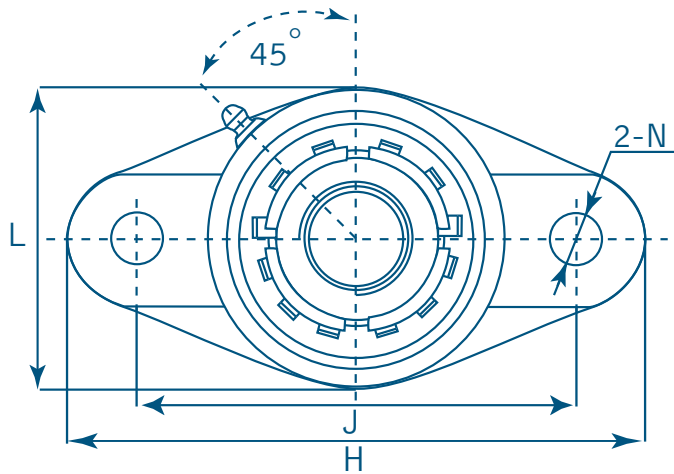


Two - Bolt Holes Flange Unit



Normal Duty



UKFL

Adapter Sleeve Locking

Unit No.	Shaft Dia. Inch / mm	Dimensions Inch / mm										Bolt Size	Bearing No.	Adapter No.	Bearing No.	Weight	
		d	H	J	A	A1	A2	N	L	E	S1					Kg	Lbs
UKFL 205 + H 2305 + HA 2305 + HE 2305	20 mm 3/4	5-1/8 130	3-57/64 99	1-1/16 27	1/2 13	5/8 16	5/8 16	2-11/16 68	1-13/32 35.5	0.7283 18.5	1/2 M 14	UK 205	H 2305 HE 2305	FL 205	0.63	1.39	
UKFL 206 + H 2306 + HA 2306 + HE 2306 + HS 2306	25 mm 7/8 15/16 1	5-13/16 148	4-19/32 117	1-7/32 31	1/2 13	23/32 18	5/8 16	3-5/32 30	1-17/32 39	0.8070 20.5	1/2 M 14	UK 206	H 2306 HA 2306 HS 2306 HE 2306	FL 206	0.90	1.98	
UKFL 207 + H 2307 + HA 2307 + HS 2307	30 mm 1-1/8 1-3/16	6-11/32 161	5-1/8 130	1-11/32 34	9/16 14	3/4 19	5/8 16	3-17/32 90	1-11/16 42.5	0.8858 22.5	1/2 M 14	UK 207	H 2307 HA 2307 HS 2307	FL 207	1.17	2.57	
UKFL 208 + H 2308 + HE 2308 + HS 2308	35 mm 1-1/4 1-3/8	6-7/8 175	5-21/32 144	1-13/32 36	9/16 14	13/16 21	5/8 16	3-15/16 100	1-27/32 46.5	0.9645 24.5	1/2 M 14	UK 208	H 2308 HE 2308 HS 2308	FL 208	1.54	3.39	
UKFL 209 + H 2309 + HA 2309 + HE 2309 + HS 2309	40 mm 1-7/16 1-1/2 1-5/8	7-13/32 188	5-13/16 148	1-1/2 38	19/32 15	7/8 22	3/4 19	1-1/4 108	1-29/32 48.5	1.0236 26	5/8 M 16	UK 209	H 2309 HA 2309 HE 2309 HS 2309	FL 209	1.89	4.16	
UKFL 210 + H 2310 + HA 2310 + HE 2310 + HS 2310	45 mm 1-5/8 1-11/16 1-3/4	7-3/4 197	6-3/16 157	1-9/16 40	19/32 15	7/8 22	3/4 19	4-17/32 115	1-31/32 50	1.0826 27.5	5/8 M 16	UK 210	H 2310 HA 2310 HE 2310 HS 2310	FL 210	2.27	4.99	
UKFL 211 + H 2311 + HA 2311 + HE 2311 + HS 2311	50 mm 1-7/8 1-15/16 2	8-13/16 224	7-1/4 184	1-11/16 43	23/32 18	31/32 25	3/4 19	5-1/8 130	2-5/32 54.5	1.0826 27.5	5/8 M 16	UK 211	H 2311 HA 2311 HE 2311 HS 2311	FL 211	3.06	6.73	
UKFL 212 + H 2312 + HS 2312	55 mm 2-1/8	9-37/32 250	7-15/16 202	1-7/8 48	23/32 18	1-5/32 29	29/32 23	5-1/2 140	2-13/32 61	1.2598 32	3/4 M 20	UK 212	H 2312 HS 2312	FL 212	3.79	8.34	
UKFL 213 + H 2313 + HA 2313 + HE 2313 + HS 2313	60 mm 2-3/16 2-1/4 2-3/8	10-5/32 258	8-9/32 210	1-31/32 50	7/8 22	1-3/16 30	29/32 23	6-3/32 155	2-17/32 64	1-5/16 33.3	3/4 M 20	UK 213	H 2313 HA 2313 HE 2313 HS 2313	FL 213	4.48	9.86	
UKFL 215 + H 2315 + HA 2315 + HE 2315	65 mm 2-7/16 2-1/2	10-13/16 275	8-27/32 225	2-7/32 56	7/8 22	1-11/32 34	29/32 23	6-1/2 165	2-25/32 71	1.3976 35.5	3/4 M 20	UK 215	H 2315 HA 2315 HE 2315	FL 215	5.48	12.06	
UKFL 216 + H 2316 + HA 2316 + HE 2316	70 mm 2-11/16 2-3/4	11-13/32 290	9-3/16 233	2-9/32 58	7/8 22	1-11/32 34	31/32 25	7-3/32 180	2-29/32 73.5	1.5354 39	7/8 M 22	UK 216	H 2316 HA 2316 HE 2316	FL 216	7.46	16.41	
UKFL 217 + H 2317 + HA 2317 + HE 2317	75 mm 2-15/16 3	12 305	9-3/4 248	2-15/32 63	15/16 24	1-13/32 36	31/32 25	7-15/32 190	3-1/32 77	1.5748 40	7/8 M 22	UK 217	H 2317 HA 2317 HE 2317	FL 217	9.03	19.87	
UKFL 218 + H 2318	80 mm	12-19/32 320	10-7/16 265	2-11/16 68	15/16 24	1-9/16 40	31/32 25	8-1/16 205	3-7/32 81.5	1.6535 42	7/8 M 22	UK 218	H 2318	FL 218	10.89	23.96	