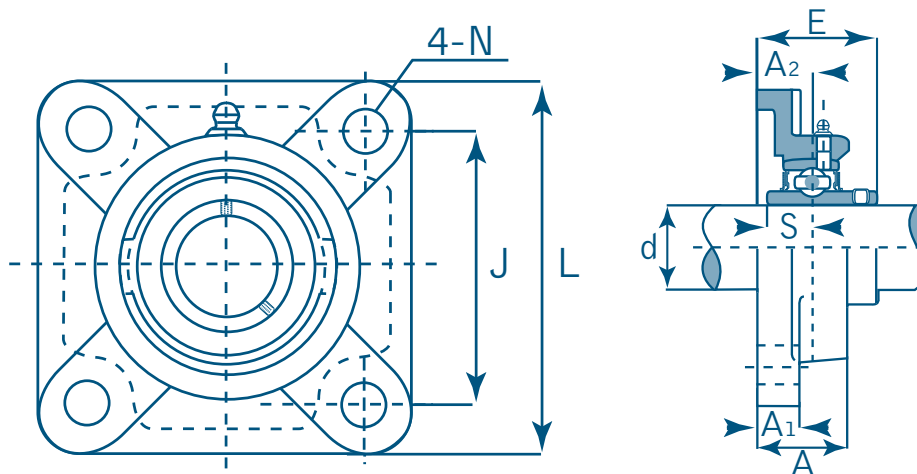


UCF
Set Screw Locking

Unit No.	Shaft Dia. Inch / mm d	Dimensions Inch / mm								Bolt Size	Bearing No.	Housing No.	Weight	
		L	J	A	A1	A2	N	E	S				kg	lbs
UCF 201 201-8 202 202-10 203 203-11	12 mm 1/2 15 mm 5/8 17 mm 11/16	3-3/8 86	2-33/64 64	1 25.4	15/32 12	19/32 15	15/32 12	1-5/16 33.3	0.500 12.7	3/8 M10	UC 201 201-8 202 202-10 203 203-11	F 204	.07	1.5
UCF 204 204-12	20 mm 3/4	3-3/8 86	2-33/64 64	1 25.4	15/32 12	19/32 15	15/32 12	1-5/16 33.3	0.500 12.7	3/8 M10	UC 204 204-12	F 204	0.6	1.3
UCF 205 205-14 205-15 205-16	25 mm 7/8 15/16 1	3-3/4 95	2-3/4 70	1-1/16 27	35/64 14	5/8 16	15/32 12	1-13/32 35.8	0.5629 14.3	3/8 M10	UC 205 205-14 205-15 205-16	F 205	0.8	1.8
UCF 206 206-18 206-19 206-20	30 mm 1-1/8 1-3/16 1-1/4	4-1/4 108	3-1/4 82.6	1-7/32 31	35/64 14	45/64 18	15/32 12	1-37/64 40.2	0.6259 15.9	3/8 M10	UC 206 206-18 206-19 206-20	F 206	1.0	2.2
UCF 207 207-20 207-21 207-22 207-23	35 mm 1-1/4 1-5/16 1-3/8 1-7/16	4-39/64 117	3-5/8 92	1-11/32 34	5/8 16	3/4 19	35/64 14	1-3/4 44.4	0.6889 17.5	7/16 M12	UC 207 207-20 207-21 207-22 207-23	F 207	1.4	3.1
UCF 208 208-24 208-25	40 mm 1-1/2 1-9/16	5-1/8 130	4-1/64 102	1-13/32 36	5/8 16	53/64 21	5/8 16	2-1/64 51.2	0.7480 19	1/2 M14	UC 208 208-24 208-25	F 208	1.8	4.0
UCF 209 209-26 209-27 209-28	45 mm 1-5/8 1-11/16 1-3/4	5-13/32 137	4-9/64 105	1-1/2 38	23/32 18	55/64 22	5/8 16	2-1/16 52.2	0.7480 19	1/2 M14	UC 209 209-26 209-27 209-28	F 209	2.2	4.9

Four - Bolt Holes Flange Unit

Normal Duty



UCF
Set Screw Locking

Unit No.	Shaft Dia. Inch / mm	Dimensions Inch / mm								Bolt Size	Bearing No.	Housing No.	Weight	
		L	J	A	A1	A2	N	E	S				kg	lbs
UCF 210 210-30 210-31 210-32	50 mm 1-7/8 1-15/16 2	5-5/8 143	4-3/8 111	1-9/16 40	23/32 18	55/64 22	5/8 16	2-5/32 54.6	0.7480 19	1/2 M14	UC 210 210-30 210-31 210-32	F 210	2.4	5.3
UCF 211 211-32 211-34 211-35	55 mm 2 2-1/8 2-3/16	6-3/8 162	5-1/8 130	1-11/16 43	25/32 20	63/64 25	3/4 19	2-19/64 58.4	0.8740 22.2	5/8 M16	UC 211 211-32 211-34 211-35	F 211	3.6	7.9
UCF 212 212-36 212-38 212-39	60 mm 2-1/4 2-3/8 2-7/16	6-57/64 175	5-5/8 143	1-57/64 48	25/32 20	1-9/64 29	3/4 19	2-45/64 68.7	1.000 25.4	5/8 M16	UC 212 212-36 212-38 212-39	F 212	4.4	9.7
UCF 213 213-40	65 mm 2-1/2	7-23/64 187	5-55/64 149	1-31/32 50	55/64 22	1-3/16 30	3/4 19	2-3/4 69.7	1.000 25.4	5/8 M16	UC 213 213-40	F 213	5.5	12
UCF 214 214-43 214-44	70 2-11/16 2-3/4	7-19/32 193	5-63/64 152	2-1/8 54	55/64 22	1-7/32 31	3/4 19	2-31/32 75.4	1.1889 30.2	5/8 M16	UC 214 214-43 214-44	F 214	6.1	13
UCF 215 215-47 215-48	75 mm 2-7/8 2-15/16 3	7-7/8 200	6-17/64 159	2-7/32 56	55/64 22	1-11/32 34	3/4 19	3-3/32 78.5	1.3110 33.3	5/8 M16	UC 215 215-47 215-48	F 215	6.9	15
UCF 216 216-50	80 mm 3-1/8	8-3/16 208	6-1/2 165	2-9/32 58	55/64 22	1-11/32 34	29/32 23	3-9/32 83.3	1.3110 33.3	3/4 M20	UC 216 216-50	F 216	8.1	18
UCF 217 217-52 217-55	85 mm 3-1/4 3-7/16	8-21/32 220	6-57/64 175	2-15/32 63	15/16 24	1-27/64 36	29/32 23	3-29/64 87.6	1.3425 34.1	3/4 M20	UC 217 217-52 217-55	F 217	9.3	21
UCF 218 218-56	90 mm 3-1/2	9-1/4 235	7-23/64 187	2-11/16 68	15/16 24	1-37/64 40	29/32 23	3-51/64 96.3	1.5629 39.7	3/4 M20	UC 218 218-56	F 218	11	24