

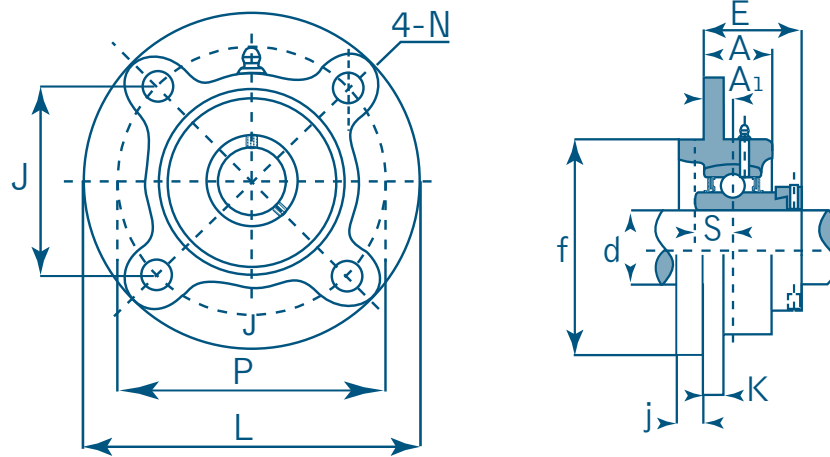
HCFC

Eccentric Locking Collar

Unit No.	Shaft Dia. Inch / mm d	Dimensions inch / mm											Bolt Size Inch / mm	Bearing No.	Housing No.	Weight	
		L	P	J	j	A	A ₁	N	K	f	E	S				kg	lbs
HCFC 201 201-8 202 202-10 203 203-11 203 204-12	12 mm 1/2 15 mm 5/8 17 mm 11/16 20 mm 3/4	3-15/16 100	3-5/64 78	2-11/64 55.1	13/64 5	13/16 20.5	25/64 10	15/32 12	15/64 6	2.4409 62	1.437 36.5	0.500 17	3/8 M10	HC 201 201-8 202 202-10 203 203-11 203 204-12	FC 204	0.73 0.72 0.82 0.72 0.71 0.70 0.76 0.76	1.61 1.58 1.80 1.58 1.56 1.54 1.67 1.67
HCFC 205 205-14 205-15 205-16	25 mm 7/8 15/16 1	4-17/32 115	3-35/64 90	2-1/2 63.6	15/64 6	13/16 21	25/64 10	15/32 12	9/32 7	2.7559 70	1.453 36.9	0.6889 17.5	3/8 M10	HC 205 205-14 205-15 205-16	FC 205	1.07 1.11 1.09 1.07	2.35 2.44 2.40 2.35
HCFC 206 206-18 206-19 206-20	30 mm 1-1/8 1-3/16 1-1/4	4-29/32 125	3-15/16 100	2-25/32 70.7	5/16 8	29/32 23	25/64 10	15/32 12	5/16 8	3.1496 80	1.579 40.1	0.7204 18.3	3/8 M10	HC 206 206-18 206-19 206-20	FC 206	1.43 1.45 1.43 1.40	3.15 3.19 3.15 3.08
HCFC 207 207-20 207-21 207-22 207-23	35 mm 1-1/4 1-5/16 1-3/8 1-7/16	5-5/16 135	4-21/64 110	3-1/16 77.8	5/16 8	1-1/32 26	7/16 11	35/64 14	23/64 9	3.5433 90	1.705 43.3	0.7401 18.8	7/16 M12	HC 207 207-20 207-21 207-22 207-23	FC 207	1.93 2.00 1.93 1.93 1.87	4.25 4.40 4.25 4.25 4.11
HCFC 208 208-24 208-25	40 mm 1-1/2 1-9/16	5-23/32 145	4-23/32 120	3-11/32 84.8	25/64 10	1-1/32 26	7/16 11	35/64 14	23/64 9	3.9370 100	1.807 45.9	0.8425 21.4	7/16 M12	HC 208 208-24 208-25	FC 208	2.29 2.34 2.30	5.04 5.15 5.06
HCFC 209 209-26 209-27 209-28	45 mm 1-5/8 1-11/16 1-3/4	6-5/16 160	5-13/64 132	3-43/64 93.3	15/32 12	1-1/32 26	25/64 10	5/8 16	25/64 14	4.1339 105	1.768 44.9	0.8425 21.4	1/2 M14	HC 209 209-26 209-27 209-28	FC 209	2.85 2.96 2.91 2.87	6.27 6.51 6.40 6.31

Round Flange Cartridge Unit

Normal Duty



HCFC Eccentric Locking Collar

Unit No.	Shaft Dia. inch / mm	Dimensions inch / mm											Bolt Size Inch / mm	Bearing No.	Housing No.	Weight	
		d	L	P	J	j	A	A ₁	N	K	f	E				S	kg
HCFC 210 210-30 210-31 210-32	50 mm 1-7/8 1-15/16 2	6-1/2 165	5-7/16 138	3-27/32 97.6	15/32 12	1-3/32 28	25/64 10	5/8 16	35/64 14	4.3307 110	1.894 48.1	0.9685 24.6	1/2 M14	HC 210 210-30 210-31 210-32	FC 210	3.09 3.18 3.12 3.06	6.80 7.00 6.86 6.73
HCFC 211 211-32 211-34 211-35	55 mm 2 2-1/8 2-3/16	7-9/32 185	5-29/32 150	4-3/16 106.1	15/32 12	1-3/16 30	33/64 13	3/4 19	35/64 14	4.9213 125	2.228 56.6	1.0944 27.8	5/8 M16	HC 211 211-32 211-34 211-35	FC 211	4.22 4.42 4.27 4.19	9.28 9.72 9.39 9.22
HCFC 212 212-36 212-38 212-39	60 mm 2-1/4 2-3/8 2-7/16	7-11/16 195	6-19/64 160	4-29/64 113.1	15/32 12	1-13/32 36	43/64 17	3/4 19	19/32 15	5.3150 135	2.512 63.8	1.2204 31	5/8 M16	HC 212 212-36 212-38 212-39	FC 212	5.28 5.44 5.30 5.17	11.62 11.97 11.66 11.37
HCFC 213 213-40	65 mm 2-1/2	8-1/16 205	6-11/16 170	4-47/64 120.2	35/64 14	1-3/8 35	5/8 16	3/4 19	19/32 15	5.709 145	2.661 67.6	1.3425 34.1	5/8 M16	HC 213 213-40	FC 213	6.21 6.31	13.66 13.88
HCFC 214 214-43 214-44	70 mm 2-11/16 2-3/4	8-15/32 215	6-31/32 177	4-59/64 125.1	35/64 14	1-1/2 38	43/64 17	3/4 19	5/8 16	5.9055 150	2.701 68.6	1.3425 34.1	5/8 M16	HC 214 214-43 214-44	FC 214	7.45 7.69 7.46	16.39 16.92 16.41
HCFC 215 215-47 215-48	75 mm 2-15/16 3	8-21/32 220	7-1/4 184	5-1/8 130.1	5/8 16	1-17/32 39	23/32 18	3/4 19	43/64 17	6.2992 160	2.866 72.8	1.4685 37.3	5/8 M16	HC 215 215-47 215-48	FC 215	7.56 7.59 7.47	16.63 16.70 16.43
HCFC 216 216-50	80 mm 3-1/8	9-7/16 240	7-7/8 200	5-9/16 141.4	5/8 16	1-21/32 42	23/32 18	29/32 23	23/32 18	6-11/16 170	2.988 75.9	1.3110 33.3	3/4 M20	HC 216 216-50	FC 216	9.15 9.20	20.13 20.24
HCFC 217 217-52 217-55	85 mm 3-1/4 3-7/16	9-27/32 250	8-3/16 208	5-51/64 147.1	23/32 18	1-25/32 45	23/32 18	29/32 23	25/32 20	7-3/32 180	2.669 67.8	1.3425 34.1	3/4 M20	HC 217 217-52 217-55	FC 217	10.81 11.03 10.89	23.78 24.27 23.96
HCFC 218 218-56	90 mm 3-1/2	10-7/16 265	8-21/32 220	6-1/8 155.5	23/32 18	1-31/32 50	55/64 22	29/32 23	25/32 20	7-31/64 190	2.756 70	1.3440 39.7	3/4 M20	HC 218 218-56	FC 218	12.96 13.07	28.51 28.75