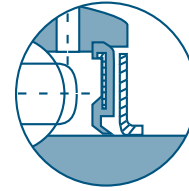


HC



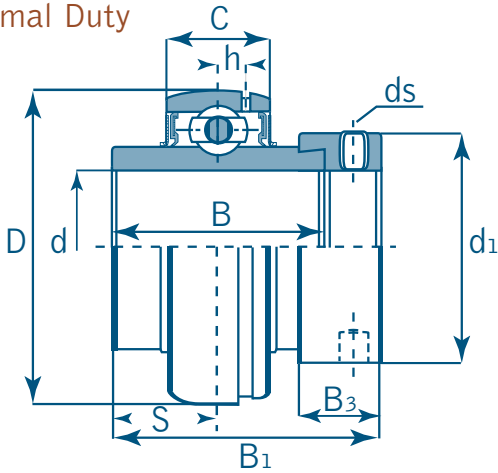
Dual Seal



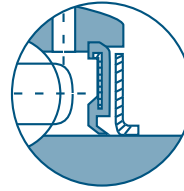
Triple Seal optional

Unit No.	Shaft Dia. Inch / mm	Dimensions Inch / mm									Basic load rating lbf / N		Eccentric Collar	Mass	
		D	d ₁	B	B ₁	B ₃	C	S	h	ds	dynamic	static		Kg / Lbs	
HC 202 202-9 202-10 203 203-11 204 204-12	15 mm 9/16 5/8 17mm 11/16 20 mm 3/4	1.8504 47	1.311 33.3	1.3465 34.2	1.7205 43.7	0.5315 13.5	0.6693 17	0.6793 17.1	0.146 3.7	1/4-28 UNF M6 x 0.75	2886 12840	1495 6650	A 202 202-9 202-10 203 203-11 204 204-12	0.27 0.26 0.26 0.25 0.25 0.23 0.23	0.59 0.57 0.57 0.55 0.55 0.51 0.51
HC 205 205-14 205-15 205-16	25 mm 7/8 15/16 1	2.0472 52	1.5000 38.1	1.3740 34.9	1.7480 44.4	0.5315 13.5	0.6693 17	0.6890 17.5	0.154 3.9	1/4-28 UNF M6 x 0.75	3152 14020	1771 7880	A 205 205-14 205-15 205-16	0.27 0.31 0.29 0.27	0.59 0.68 0.64 0.59
HC 206 206-17 206-18 206-19 206-20	30 mm 1-1/16 1-1/8 1-3/16 1-1/4	2.4409 62	1.7520 44.5	1.4370 36.5	1.9055 48.4	0.6260 15.9	0.7480 19	0.7205 18.3	0.197 5.0	5/16-24 UNF M8 x 1	4375 19460	2542 11310	A 206 206-17 206-18 206-19 206-20	0.45 0.50 0.47 0.45 0.42	0.99 1.10 1.03 0.99 0.92
HC 207 207-20 207-21 207-22 207-23	35 mm 1-1/4 1-5/16 1-3/8 1-7/16	2.8346 72	2.189 55.6	1.4803 37.6	2.0118 51.1	0.6890 17.5	0.7874 20	0.7402 18.8	0.224 5.7	5/16-24 UNF M8 x 1	5771 25670	3439 15300	A 207 207-20 207-21 207-22 207-23	0.60 0.67 0.63 0.60 0.57	1.32 1.47 1.39 1.32 1.25
HC 208 208-24 208-25	40 mm 1-1/2 1-9/16	3.1496 80	2.3740 60.3	1.6850 42.8	2.2165 56.3	0.7205 18.3	0.8270 21	0.8425 21.4	0.244 6.2	5/16-24 UNF M8 x 1	6636 29520	4078 18140	A 208 208-24 208-25	0.79 0.84 0.80	1.74 1.85 1.76
HC 209 209-26 209-27 209-28	45 mm 1-5/8 1-11/16 1-3/4	3.3465 85	2.5000 63.5	1.6850 42.8	2.2165 56.3	0.7205 18.3	0.8661 22	0.8425 21.4	0.252 6.4	5/16-24 UNF M8 x 1	7119 31670	4649 20680	A 209 209-26 209-27 209-28	0.85 0.96 0.91 0.87	1.87 2.11 2.00 1.91

Normal Duty



HC



Dual Seal



Triple Seal optional

Unit No.	Shaft Dia. Inch / mm	Dimensions Inch / mm										Basic load rating lbf / N		Eccentric Collar	Mass	
		d	D	d ₁	B	B ₁	B ₃	C	S	h	ds	dynamic	static		Kg / Lbs	
HC 210 210-30 210-31 210-32	50 mm 1-7/8 1-15/16 2	3.5433 90	2.7520 69.9	1.9370 49.2	2.4685 62.7	0.7204 18.3	0.9449 24	0.9685 24.6	0.256 6.5	5/16-24 UNF M8x 1	7884 35070	5211 23180	A 210 210-30 210-31 210-32	0.99 1.08 1.02 0.96	2.18 2.38 2.24 2.11	
HC 211 211-32 211-34 211-35	55 mm 2 2-1/8 2-3/16	3.9370 100	3.000 76.2	2.1850 55.5	2.8110 71.4	0.8150 20.7	0.9843 25	1.0945 27.8	0.276 7.0	3/8-24 UNF M10 x 1.25	9752 43380	6569 29220	A 211 211-32 211-34 211-35	1.32 1.52 1.37 1.29	2.90 3.34 3.01 2.84	
HC 212 212-36 212-38 212-39	60 mm 2-1/4 2-3/8 2-7/16	4.3307 110	3.3150 84.2	2.4370 61.9	3.0630 77.8	0.8780 22.3	1.0630 27	1.2205 31	0.299 7.6	3/8-24 UNF M10 x 1.25	10736 47760	7403 32930	A 212 212-36 212-38 212-39	1.88 2.04 1.90 1.77	4.14 4.49 4.18 3.89	
HC 213 213-40	65 mm 2-1/2	4.7244 120	3.3858 86	2.6850 68.2	3.3740 85.7	0.9252 23.5	1.1024 28	1.3425 34.1	0.335 8.5	3/8-24 UNF M10 x 1.25	12861 57210	8992 40000	A 213 213-40	2.41 2.51	5.30 5.52	
HC 214 214-43 214-44	70 mm 2-11/16 2-3/4	4.9213 125	3.5433 90	2.6850 68.2	3.3740 85.7	0.9252 23.5	1.1811 30	1.3425 34.1	0.350 8.9	3/8-24 UNF M10 x 1.25	13675 60830	10123 45030	A 214 214-43 214-44	2.55 2.68 2.56	5.61 5.90 5.63	
HC 215 215-47 215-48	75 mm 2-15/16 3	5.1811 130	4.0157 102	2.9370 74.6	3.6260 92.1	0.9252 23.5	1.2598 32	1.4685 37.3	0.362 9.2	3/8-24 UNF M10 x 1.25	14862 66110	11128 49500	A 215 215-47 215-48	2.84 2.88 2.74	6.25 6.34 6.03	
HC 216 216-50	80 mm 3-1/8	5.5118 140	4.3307 110	2.9370 74.6	3.7480 95.2	1.0630 27	1.2992 33	1.4685 37.3	0.4055 10.3	7/16-20 UNF M12 x 1.25	16073 71500	12184 54200	A 216 216-50	3.12	6.86	
HC 217 217-52 217-55	85 mm 3-1/4 3-7/16	5.9055 150	4.6850 119	2.0944 53.2	2.8818 73.2	1.0630 27	1.3780 35	0.9212 23.4	0.4331 11	7/16-20 UNF M12 x 1.25	18703 83200	14342 63800	A 217 217-52 217-55	3.6	7.92	
HC 218 218-56	90 mm 3-1/2	6.2992 160	4.7244 120	2.1653 55	2.8543 72.5	1.2519 31.8	1.4567 37	0.9645 24.5	0.4724 12	7/16-20 UNF M12 x 1.25	21558 95900	16073 71500	A 218 218-56	4.55	10.01	